

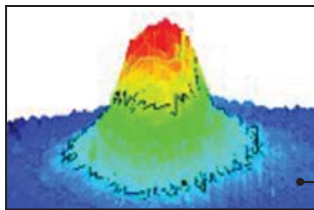
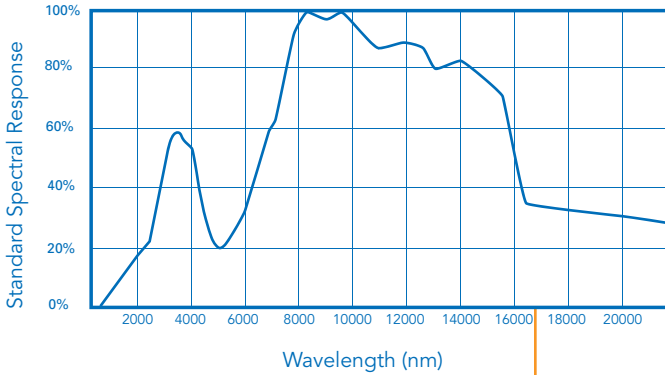


PV320L

INFRARED CAMERA



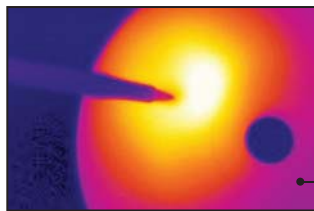
Shown with optional 35mm lens (lens not included)



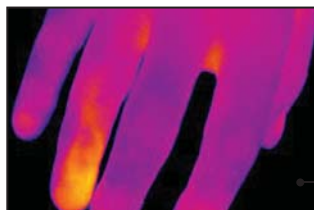
Laser Beam Profiling



Night Vision



NDT



Medical Imaging

Electrophysics' PV320L infrared camera incorporates a high resolution (320x240) uncooled focal plane array and advanced features including a USB 2.0 high-speed digital output and internal automatic image calibration (AIC).

Operate the PV320L as a stand-alone, video-based system with on-camera controls, or interface the camera with Velocity Advanced, our powerful real-time image acquisition and analysis software application. Connect the camera to any USB 2.0-enabled PC platform and run

Velocity Basic and display real-time images on any PC and control the camera remotely.

The compact PV320L in its rugged, all-metal, alloy chassis is currently in operation in many demanding applications around the world.

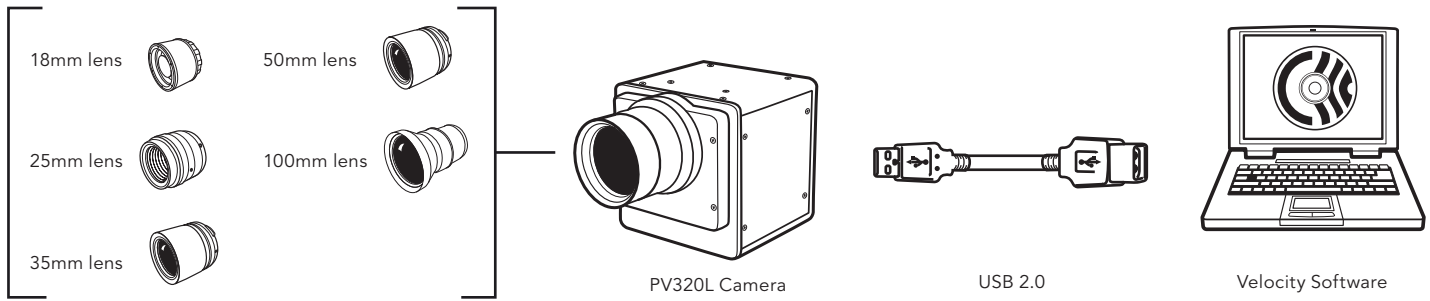
FEATURES

- 320x240 uncooled focal plane array
- Automatic Image Calibration (AIC)
- USB 2.0 High-Speed Serial Output
- 0.08°C Sensitivity
- Broadband (2.0 to 20 μm) Imaging Option
- Real-time software availability
- Interchangeable lens mount with wide selection of optics offered

BENEFITS

- Great image quality with fine spatial detail
- Continuous normalization reduces requirement for non-uniformity correction
- Interface to a wide range of PC types
- Visualize minute temperature variations
- Only broadband uncooled camera available
- Collect and analyze images easily
- Optimize the camera system for many different applications

PV320L INFRARED CAMERA



SPECIFICATIONS

Sensor	Uncooled BST	Video Output Connector	BNC
Spectral Response	2–14µm	Real-time Digital Output Connector	USB 2.0 High Speed
Pixel Size	48.5 x 48.5µm	On-camera Control	4-button panel, on/off
Thermal Sensitivity	0.08°C	Operating Temperature	-20°C to 50°C (-4°F to 122°F)
Resolution	320 x 240 pixels	Storage Temperature	-20°C to 60°C (-4°F to 140°F)
Video Palettes (in camera)	4 color, 2 grayscale	Humidity	0 to 95% non-condensing
Zoom (in camera)	2X	Tripod Mount	¼" to 20 TPI
Real-time Digital Output	USB 2.0	Lens Mount	2" to 32 TPI
Video Output	NTSC (PAL optional)	Size (LxWxH)	14 x 11.4 x 11.4 cm
Dynamic Range	12 bits	Weight w/o Lens	1.2kg (3 lb.)
Camera Control	USB 2.0	Lenses	Optional (see ordering information below)
Frame Rate	30Hz: PV320L 25Hz: PV320LE	Voltage	12 VDC on 2.5mm power slug 110–240 VAC / 50–60Hz on included AC power supply
Power Consumption	<10 watts nominal		

Because of ongoing product enhancements, specifications are subject to change without notice. Export of this product is controlled by the US Government. Prior authorization is required for re-export or transfer.

ORDERING INFORMATION

ITEM	PART NO.	DESCRIPTION
PV320L (NTSC)	914331	Includes 60Hz camera with 2–14µm response and power supply
PV320LE (PAL)	914335	Includes 50Hz camera with 2–14µm response and power supply
18mm Wide-angle Objective Lens	901000	Manual focus lens with 50° x 38° H x V, F1.0, no iris
25mm Wide-angle Objective Lens	901001	Manual focus lens with 36° x 27° H x V, F1.0, no iris
35mm Objective Lens (coated 8–12µm)	914487	Manual focus lens with 25° x 19° H x V, F1.0, no iris
35mm Broadband Objective Lens (coated 3–12µm)	914451	Manual focus lens with 25° x 19° H x V, F1.0, no iris
50mm Objective Lens (coated 8–12µm)	901003	Manual focus lens with 18° x 13° H x V, F1.0, adjustable iris
50mm Broadband Objective Lens (coated 3–12µm)	914161	Manual focus lens with 18° x 13° H x V, F1.0, adjustable iris
100mm Telephoto Lens	901008	Manual focus lens with 9° x 7° H x V, F1.0, no iris
Extension Tube, 25mm	914193	
C-mount Adapter	914122	
Velocity Software – Basic	914376	
Velocity Software – Advanced	914377	
Carrying Case	914384	



E: info@lambdaphoto.co.uk

T: +44 (0)1582 764334