

PAD industrial LED-Lighting

LED Spot Light OD 60 mm LUXEON LEDs

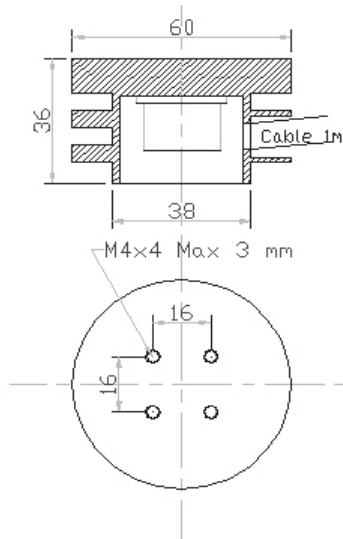
Spot light with very high light intensity based on one LUXEON-led.

One LUXEON-led can only be controlled by our 0.3 A Steady State controller.

This spot light is housed in a black aluminium ring.



Mechanical dimensions:



Specifications:

Can be used for only steady state mode

N.B. Can not be used together with Long Flash.

Delivered with 1 meter cable for controller connection.

CE-approved.

Order information:

		Controllers
		St.St/Strobe
Red 640 nm	FAD3 1051	0.3A/S
Blue 470 nm	FAB3 1051	0.3A/S
Green 530 nm	FAG3 1051	0.3A/S
White	FTW3 1051	0.3A/S

N.B.

Can only be controlled by 0.3A St.St or the new Strobe PAD11131/F