

# PAD industrial LED-Lighting

## LED Ring Light OD 151 mm LUXEON LEDs

Ring light with very high light intensity based on one 1 LUXEON-led module of 12 leds.

This ring-light can only be controlled by our 1 A Steady State controller.

This light is supplied with a bracket for Bosch or Montech- profiles.

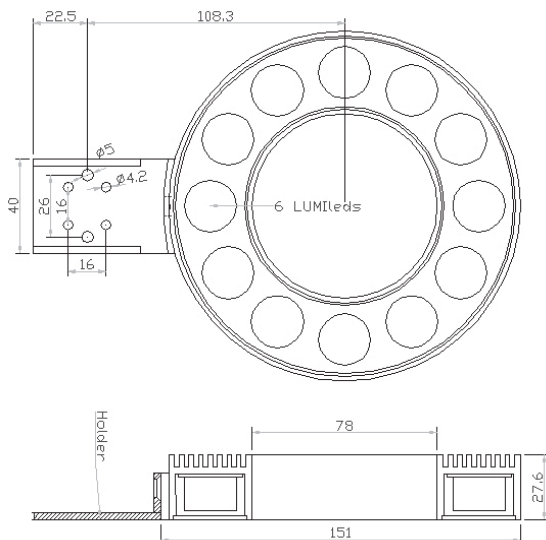
The ring lights are housed in a black aluminium ring.

Working distans with a homogeneity.

Working distans.	Homogen. diam.
200mm	100mm
300mm	125mm
400mm	150mm



### Mechanical dimensions:



### Specifications:

Can only be used for steady state mode.

N.B. Can NOT be used together with Long Flash.

Delivered with 1 meter cable for controller connection.

CE-approved.

### Order information:

		Controllers St.St/Strobe
Red 640 nm	FAD3 1053	1A/S
Blue 470 nm	FAB3 1053	1A/S
Green 530 nm	FAG3 1053	1A/S
White	FTW3 1053	1A/S

At Strobe mode,  
new Strobe controller, PAD11131/F