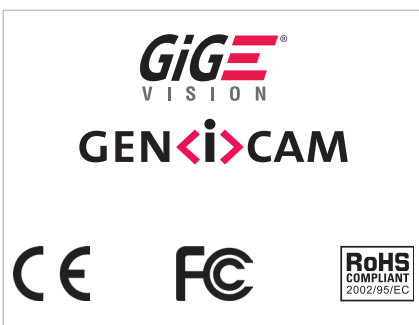
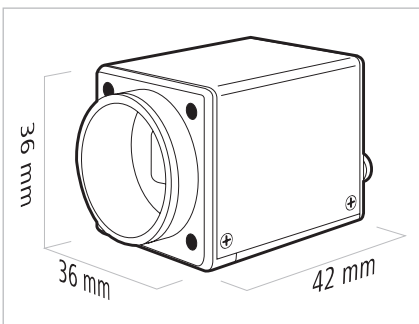


EXG03

Facts and Data



Digital Monochrome Matrix Camera, 0.3 Megapixels, Gigabit Ethernet with HDR

Sensor Information

Model Name	Aptina MT9V024
Type	1/3" CMOS
Native Resolution	752 × 480 pixels
Exposure Time	32 µsec ... 1 sec

Acquisition Formats

Image Formats	Full Frame	752 × 480 pixels	max. 60.0 fps
	Binning 2x2	376 × 240 pixels	max. 110.0 fps
	Binning 1x2	752 × 240 pixels	max. 110.0 fps
	Binning 2x1	376 × 480 pixels	max. 60.0 fps
Pixel Formats	Mono8, Mono10, Mono10 Packed		
Partial Scan	True Partial Scan, Region of Interest (ROI) arbitrary		

Image Pre-processing

Analog Controls	Gain (0 ... 12 dB), digital Offset (0 ... 1023 LSB 10 bit)
Color Models	Mono

Camera Features

Internal Buffer	32 MBytes (max. 16 images)
Synchronization	Free running, Trigger
Trigger Sources	Hardware, Software, ActionCommand
Trigger Delay	0 ... 2 sec, Tracking and buffering of up to 512 trigger signals
Digital I/Os	1 input line (with Debouncer), 1 output line

Interfaces and Connectors

Data Interface	Gigabit Ethernet, Transfer rate 1000 Mbits/sec Connector: 8P8C Modular Jack (RJ45), screw lock type
Process Interface	M8 / 4 pins
Power Interface	M8 / 3 pins

Mechanical Data

Housing	Aluminum, IP40
Lens Mount	C-Mount
Dimensions	36 × 36 × 42 mm
Weight	< 90 g

Electrical Data

Power Supply	8 ... 30 V DC
Power Consumption	approx. 2.9 Watts

Environmental Data

Operating Temperature	+5 °C ... +50 °C (+41 °F ... +121 °F)
Humidity	10% ... 90% non condensing