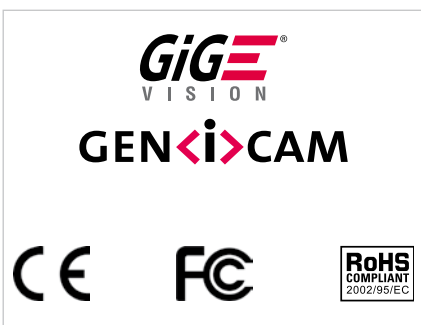
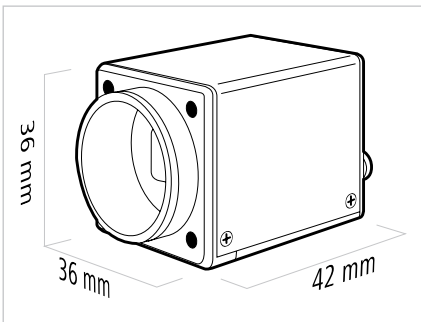


EXG50

Facts and Data

Digital Monochrome Matrix Camera, 5 Megapixels, Gigabit Ethernet



Sensor Information

Model Name	Aptina MT9P031
Type	1/2.5" CMOS
Shutter	Rolling Shutter with Global Reset option
Native Resolution	2592 × 1944 pixels
Exposure Time	4 μsec ... 1 sec

Acquisition Formats

Image Formats	Full Frame	2592 × 1944 pixels	max. 13.9 fps
	Binning 2x2	1296 × 972 pixels	max. 33.6 fps
	Binning 4x4	648 × 486 pixels	max. 52.3 fps
Pixel Formats	Mono8, Mono12, Mono12 Packed		
Partial Scan	True Partial Scan, Region of Interest (ROI) arbitrary		

Image Pre-processing

Analog Controls	Gain (0 ... 18 dB), Offset (0 ... 4095 LSB 12 bit)
Color Models	Mono

Camera Features

Internal Buffer	32 MBytes (max. 2 images)
Synchronization	Free running, Trigger
Trigger Sources	Hardware, Software, ActionCommand
Trigger Delay	0 ... 2 sec, Tracking and buffering of up to 512 trigger signals
Digital I/Os	1 input line (with Debouncer), 1 output line

Interfaces and Connectors

Data Interface	Gigabit Ethernet, Transfer rate 1000 Mbits/sec Connector: 8P8C Modular Jack (RJ45), screw lock type
Process Interface	M8 / 4 pins
Power Interface	M8 / 3 pins

Mechanical Data

Housing	Aluminum, IP40
Lens Mount	C-Mount
Dimensions	36 × 36 × 42 mm
Weight	< 90 g

Electrical Data

Power Supply	8 ... 30 V DC
Power Consumption	approx. 2.7 Watts

Environmental Data

Operating Temperature	+5 °C ... +50 °C (+41 °F ... +121 °F)
Humidity	10% ... 90% non condensing