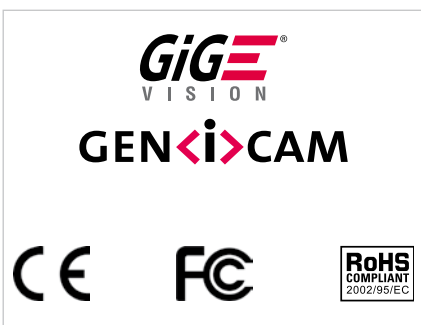
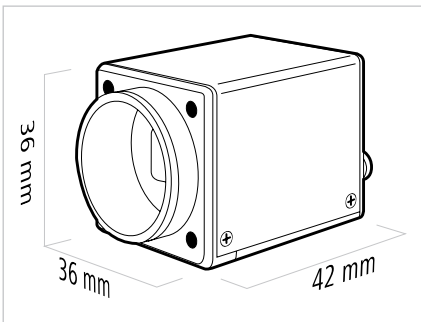


EXG50c

Facts and Data

Digital Color Matrix Camera, 5 Megapixels, Gigabit Ethernet



Sensor Information

Model Name	Aptina MT9P031		
Type	1/2.5" CMOS		
Shutter	Rolling Shutter with Global Reset option		
Native Resolution	2592 × 1944 pixels		
Exposure Time	4 μsec ... 1 sec		
Color Filter	RGB Bayer Mosaic		

Acquisition Formats

Image Formats	Full Frame	2592 × 1944 pixels	max. 14.0 fps
	Color Binning 2x2	1296 × 972 pixels	max. 33.0 fps
	Color Binning 4x4	648 × 486 pixels	max. 52.0 fps
Pixel Formats	Mono8, BayerRG8, BayerRG12, YUV411 Packed, YUV422 Packed		
Partial Scan	True Partial Scan, Region of Interest (ROI) arbitrary		

Image Pre-processing

Analog Controls	Gain (0 ... 18 dB), digital Offset (0 ... 4095 LSB 12 bit)		
Color Models	RGB, YUV, Mono		
Color Processing	Integrated color processor for high quality color calculation		
Color Adjustment	One Push White Balance, User-specific color adjustment		

Camera Features

Internal Buffer	32 MBytes (max. 2 images)		
Synchronization	Free running, Trigger		
Trigger Sources	Hardware, Software, ActionCommand		
Trigger Delay	0 ... 2 sec, Tracking and buffering of up to 512 trigger signals		
Digital I/Os	1 input line (with Debouncer), 1 output line		

Interfaces and Connectors

Data Interface	Gigabit Ethernet, Transfer rate 1000 Mbits/sec Connector: 8P8C Modular Jack (RJ45), screw lock type		
Process Interface	M8 / 4 pins		
Power Interface	M8 / 3 pins		

Mechanical Data

Housing	Aluminum, IP40		
Lens Mount	C-Mount		
Dimensions	36 × 36 × 42 mm		
Weight	< 90 g		

Electrical Data

Power Supply	8 ... 30 V DC		
Power Consumption	approx. 2.7 Watts		

Environmental Data

Operating Temperature	+5 °C ... +50 °C (+41 °F ... +121 °F)		
Humidity	10% ... 90% non condensing		