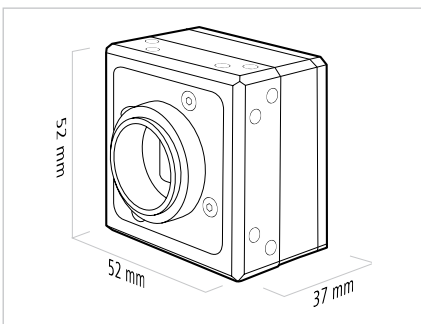


HXC20NIR Facts and Data

Digital Monochrome Matrix Camera, 2 Megapixel, CameraLink®



Sensor Information

Model Name	CMOS CMV-2000
Type	2/3" progressive scan CMOS
Native Resolution	2048 × 1088 pixels
Exposure Time	4 µsec ... 1 sec

Acquisition Formats

Image Formats	Full Frame	2048 × 1088 pixels	max. 337.0 fps
	Binning 2x1	1024 × 1088 pixels	max. 337.0 fps
	Subsampling 2x2	1024 × 544 pixels	max. 664.0 fps
Pixel Formats	Mono8, Mono10, Mono12		
Partial Scan	True Partial Scan, Region of Interest (ROI) arbitrary		

Image Pre-processing

Analog Controls	Offset (0 ... 255 LSB)
Color Modes	Mono

Camera Features

Internal Buffer	256 MBytes (max. 110 images)
Synchronization	Free running, Trigger
Trigger Sources	Hardware, Software, FrameGrabber
Trigger Delay	0 ... 2 sec, Tracking and buffering of up to 512 trigger signals
Digital I/Os	3 input lines (with Debouncer), 3 output lines

Interfaces and Connectors

Data Interface	CameraLink® Base, Medium und Full Connector: 2x Standard SDR26 (Mini CL)
Process Interface	M8 / 8 pins
Power Interface	M8 / 3 pins

Mechanical Data

Housing	Aluminum, IP40
Lens Mount	C-Mount, F-Mount
Dimensions	52 × 52 × 37 mm
Weight	185 g

Electrical Data

Power Supply	9.6 ... 30 V DC
Power Consumption	approx. 5.5 Watts

Environmental Data

Operating Temperature	+5 °C ... +60 °C (+41 °F ... +131 °F)
Humidity	10% ... 90% non condensing