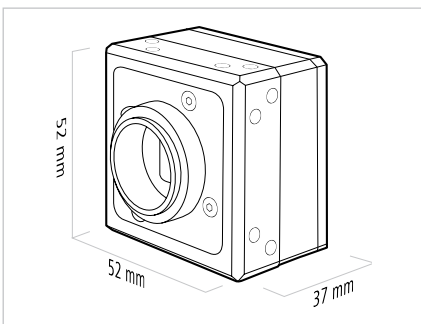


# HXC20c Facts and Data



## Digital Color Matrix Camera, 2 Megapixel, CameraLink®

### Sensor Information

Model Name	CMOSIS CMV-2000
Type	2/3" progressive scan CMOS
Native Resolution	2048 × 1088 pixels
Exposure Time	4 µsec ... 1 sec
Color Filter	RGB Bayer Mosaic

### Acquisition Formats

Image Formats	Full Frame	2048 × 1088 pixels	max. 337.0 fps
Pixel Formats	BayerGB8, BayerGB10, BayerGB12		
Partial Scan	True Partial Scan, Region of Interest (ROI) arbitrary		

### Image Pre-processing

Analog Controls	Offset (0 ... 255 LSB)
Color Modes	Raw Bayer
Color Adjustment	One Push White Balance

### Camera Features

Internal Buffer	256 MBytes (max. 110 images)
Synchronization	Free running, Trigger
Trigger Sources	Hardware, Software, FrameGrabber
Trigger Delay	0 ... 2 sec, Tracking and buffering of up to 512 trigger signals
Digital I/Os	3 input lines (with Debouncer), 3 output lines

### Interfaces and Connectors

Data Interface	CameraLink® Base, Medium und Full Connector: 2x Standard SDR26 (Mini CL)
Process Interface	M8 / 8 pins
Power Interface	M8 / 3 pins

### Mechanical Data

Housing	Aluminum, IP40
Lens Mount	C-Mount, F-Mount
Dimensions	52 × 52 × 37 mm
Weight	185 g

### Electrical Data

Power Supply	9.6 ... 30 V DC
Power Consumption	approx. 5.5 Watts

### Environmental Data

Operating Temperature	+5 °C ... +60 °C (+41 °F ... +131 °F)
Humidity	10% ... 90% non condensing