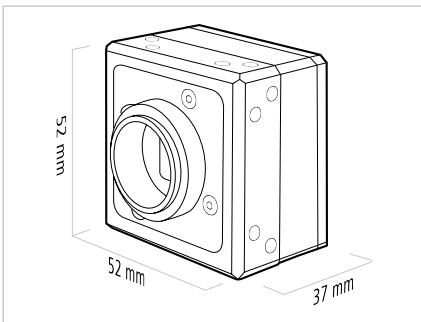


# HXC40NIR Facts and Data

## Digital Monochrome Matrix Camera, 4 Megapixel, CameraLink®



Baumer Optronic GmbH  
 Badstrasse 30  
 DE-01454 Radeberg, Germany  
 Phone +49 (0)3528 4386 0  
 Fax +49 (0)3528 4386 86  
 sales@baumeroptronic.com  
 www.baumer.com/cameras

### Sensor Information

Model Name	CMOSIS CMV-4000
Type	1" progressive scan CMOS
Native Resolution	2048 × 2048 pixels
Exposure Time	4 µsec ... 1 sec

### Acquisition Formats

Image Formats	Full Frame	2048 × 2048 pixels	max. 180.0 fps
	Binning 2x1	1024 × 2048 pixels	max. 180.0 fps
	Subsampling 2x2	1024 × 1024 pixels	max. 357.0 fps
Pixel Formats	Mono8, Mono10, Mono12		
Partial Scan	True Partial Scan, Region of Interest (ROI) arbitrary		

### Image Pre-processing

Analog Controls	Offset (0 ... 255 LSB)
Color Modes	Mono

### Camera Features

Internal Buffer	256 MBytes (max. 60 images)
Synchronization	Free running, Trigger
Trigger Sources	Hardware, Software, FrameGrabber
Trigger Delay	0 ... 2 sec, Tracking and buffering of up to 512 trigger signals
Digital I/Os	3 input lines (with Debouncer), 3 output lines

### Interfaces and Connectors

Data Interface	CameraLink® Base, Medium und Full Connector: 2x Standard SDR26 (Mini CL)
Process Interface	M8 / 8 pins
Power Interface	M8 / 3 pins

### Mechanical Data

Housing	Aluminum, IP40
Lens Mount	C-Mount, F-Mount
Dimensions	52 × 52 × 37 mm
Weight	185 g

### Electrical Data

Power Supply	9.6 ... 30 V DC
Power Consumption	approx. 5.5 Watts

### Environmental Data

Operating Temperature	+5 °C ... +60 °C (+41 °F ... +131 °F)
Humidity	10% ... 90% non condensing