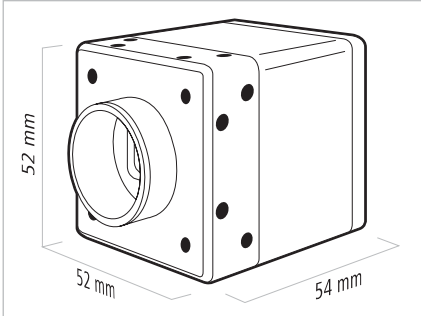


# SXC20

## Facts and Data



### Digital Monochrome Matrix Camera, 2 Megapixel, CameraLink®

#### Sensor Information

Model Name	KODAK® KAI-02050
Type	2/3" interline progressive scan CCD
Native Resolution	1600 × 1200 pixels
Exposure Time	4 μsec ... 1 sec

#### Acquisition Formats

Image Formats	Full Frame	1600 × 1200 pixels	max. 68.0 fps
	Binning 2x2	800 × 600 pixels	max. 121.0 fps
	Binning 1x2	1600 × 600 pixels	max. 121.0 fps
	Binning 2x1	800 × 1200 pixels	max. 68.0 fps
Pixel Formats	Mono8, Mono10, Mono12		
Partial Scan	True Partial Scan, Region of Interest (ROI) arbitrary		

#### Image Pre-processing

Analog Controls	Gain (0 ... 26 dB), Offset (0 ... 1023 LSB   14 bit)
Color Modes	Mono

#### Camera Features

Internal Buffer	256 MBytes (max. 120 images)
Synchronization	Free running, Trigger
Trigger Sources	Hardware, Software, FrameGrabber
Trigger Delay	0 ... 2 sec, Tracking and buffering of up to 512 trigger signals
Digital I/Os	3 input lines (with Debouncer), 3 output lines

#### Interfaces and Connectors

Data Interface	CameraLink® Base, Transfer rate 255 MBytes/sec Connector: Standard MDR26
Process Interface	M8 / 8 pins
Power Interface	M8 / 3 pins

#### Mechanical Data

Housing	Aluminum, IP40
Lens Mount	C-Mount
Dimensions	52 × 52 × 54 mm
Weight	230 g

#### Electrical Data

Power Supply	8 ... 30 V DC
Power Consumption	approx. 7.5 Watts

#### Environmental Data

Operating Temperature	+5 °C ... +50 °C (+41 °F ... +121 °F)
Humidity	10% ... 90% non condensing

Available Q2/2100