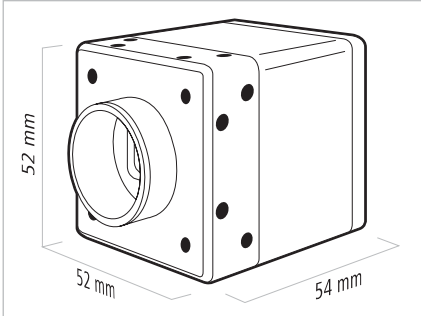


SXC21

Facts and Data



Digital Monochrome Matrix Camera, Full HD, CameraLink®

Sensor Information

Model Name	KODAK® KAI-02150
Type	2/3" interline progressive scan CCD
Native Resolution	1920 × 1080 pixels
Exposure Time	4 μsec ... 1 sec

Acquisition Formats

Image Formats	Full Frame	1920 × 1080 pixels	max. 66.0 fps
	Binning 2x2	960 × 540 pixels	max. 119.0 fps
	Binning 1x2	1920 × 540 pixels	max. 119.0 fps
	Binning 2x1	960 × 1080 pixels	max. 66.0 fps
Pixel Formats	Mono8, Mono10, Mono12		
Partial Scan	True Partial Scan, Region of Interest (ROI) arbitrary		

Image Pre-processing

Analog Controls	Gain (0 ... 26 dB), Offset (0 ... 1023 LSB 14 bit)
Color Modes	Mono

Camera Features

Internal Buffer	256 MBytes (max. 120 images)
Synchronization	Free running, Trigger
Trigger Sources	Hardware, Software, FrameGrabber
Trigger Delay	0 ... 2 sec, Tracking and buffering of up to 512 trigger signals
Digital I/Os	3 input lines (with Debouncer), 3 output lines

Interfaces and Connectors

Data Interface	CameraLink® Base, Transfer rate 255 MBytes/sec Connector: Standard MDR26
Process Interface	M8 / 8 pins
Power Interface	M8 / 3 pins

Mechanical Data

Housing	Aluminum, IP40
Lens Mount	C-Mount
Dimensions	52 × 52 × 54 mm
Weight	230 g

Electrical Data

Power Supply	8 ... 30 V DC
Power Consumption	approx. 7.5 Watts

Environmental Data

Operating Temperature	+5 °C ... +50 °C (+41 °F ... +121 °F)
Humidity	10% ... 90% non condensing

Available Q2/2100