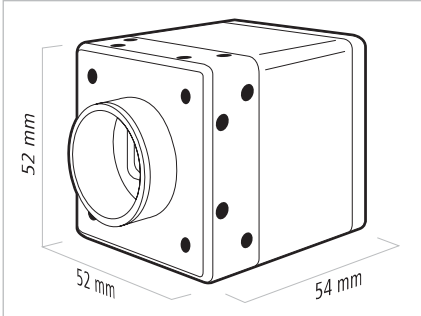


# SXC21c

## Facts and Data



### Digital Color Matrix Camera, Full HD, CameraLink®

#### Sensor Information

Model Name	KODAK® KAI-02150
Type	2/3" interline progressive scan CCD
Native Resolution	1920 × 1080 pixels
Exposure Time	4 µsec ... 1 sec
Color Filter	RGB Bayer Mosaic

#### Acquisition Formats

Image Formats	Full Frame	1920 × 1080 pixels	max. 66.0 fps
Pixel Formats	BayerRG8, BayerRG12, Mono8, YUV411 Packed, YUV422 Packed, YUV444 Packed, RGB8 Packed, BGR8 Packed		
Partial Scan	True Partial Scan, Region of Interest (ROI) arbitrary		

#### Image Pre-processing

Analog Controls	Gain (0 ... 26 dB), Offset (0 ... 1023 LSB   14 bit)
Color Modes	RGB, YUV, Mono
Color Processing	Integrated color processor for high quality color calculation
Color Adjustment	One Push White Balance, User-specific color adjustment

#### Camera Features

Internal Buffer	256 MBytes (max. 120 images)
Synchronization	Free running, Trigger
Trigger Sources	Hardware, Software, FrameGrabber
Trigger Delay	0 ... 2 sec, Tracking and buffering of up to 512 trigger signals
Digital I/Os	3 input lines (with Debouncer), 3 output lines

#### Interfaces and Connectors

Data Interface	CameraLink® Base, Transfer rate 255 MBytes/sec Connector: Standard MDR26
Process Interface	M8 / 8 pins
Power Interface	M8 / 3 pins

#### Mechanical Data

Housing	Aluminum, IP40
Lens Mount	C-Mount
Dimensions	52 × 52 × 54 mm
Weight	230 g

#### Electrical Data

Power Supply	8 ... 30 V DC
Power Consumption	approx. 7.5 Watts

#### Environmental Data

Operating Temperature	+5 °C ... +50 °C (+41 °F ... +121 °F)
Humidity	10% ... 90% non condensing