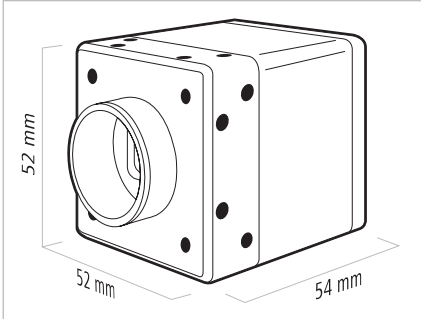


# SXC80

## Facts and Data



**Lambda**  
photometrics

E: info@lambdaphoto.co.uk

T: +44 (0)1582 764334

### Digital Monochrome Matrix Camera, 8 Megapixel, CameraLink®

#### Sensor Information

Model Name	KODAK® KAI-08050
Type	4/3" interline progressive scan CCD
Native Resolution	3296 × 2472 pixels
Exposure Time	4 μsec ... 1 sec

#### Acquisition Formats

Image Formats	Full Frame	3296 × 2472 pixels	max. 16.0 fps
	Binning 2x2	1648 × 1236 pixels	max. 32.0 fps
	Binning 1x2	3296 × 1236 pixels	max. 32.0 fps
	Binning 2x1	1648 × 2472 pixels	max. 16.0 fps
Pixel Formats	Mono8, Mono10, Mono12		
Partial Scan	True Partial Scan, Region of Interest (ROI) arbitrary		

#### Image Pre-processing

Analog Controls	Gain (0 ... 26 dB), Offset (0 ... 1023 LSB   14 bit)
Color Modes	Mono

#### Camera Features

Internal Buffer	256 MBytes (max. 30 images)
Synchronization	Free running, Trigger
Trigger Sources	Hardware, Software, FrameGrabber
Trigger Delay	0 ... 2 sec, Tracking and buffering of up to 512 trigger signals
Digital I/Os	3 input lines (with Debouncer), 3 output lines

#### Interfaces and Connectors

Data Interface	CameraLink® Base, Transfer rate 255 MBytes/sec Connector: Standard MDR26
Process Interface	M8 / 8 pins
Power Interface	M8 / 3 pins

#### Mechanical Data

Housing	Aluminum, IP40
Lens Mount	C-Mount
Dimensions	52 × 52 × 54 mm
Weight	230 g

#### Electrical Data

Power Supply	8 ... 30 V DC
Power Consumption	approx. 7.5 Watts

#### Environmental Data

Operating Temperature	+5 °C ... +50 °C (+41 °F ... +121 °F)
Humidity	10% ... 90% non condensing