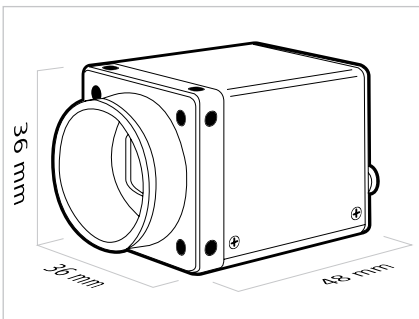


TXG08

Facts and Data

Digital Monochrome Matrix Camera, 0.8 Megapixels, Gigabit Ethernet



Sensor Information

Model Name	SONY® ICX204
Type	1/3" interline progressive scan CCD
Native Resolution	1032 × 776 pixels
Exposure Time	4 μsec ... 60 sec

Acquisition Formats

Image Formats	Full Frame HQ	1032 × 776 pixels	max. 14.0 fps
	Full Frame	1032 × 776 pixels	max. 28.0 fps
	Binning 2x2 HQ	516 × 388 pixels	max. 24.0 fps
	Binning 2x2	516 × 388 pixels	max. 49.0 fps
	Binning 1x2 HQ	1032 × 388 pixels	max. 24.0 fps
	Binning 1x2	1032 × 388 pixels	max. 49.0 fps
	Binning 2x1 HQ	516 × 776 pixels	max. 14.0 fps
	Binning 2x1	516 × 776 pixels	max. 28.0 fps
Pixel Formats	Mono8, Mono12, Mono12 Packed		
Partial Scan	True Partial Scan, Region of Interest (ROI) arbitrary		

Image Pre-processing

Analog Controls	Gain (0 ... 20 dB), Offset (0 ... 255 LSB 12 bit)
Color Models	Mono

Camera Features

Internal Buffer	32 MBytes (max. 7 images)
Synchronization	Free running, Trigger, Sequencer
Trigger Sources	Hardware, Software, ActionCommand
Trigger Delay	0 ... 2 sec, Tracking and buffering of up to 512 trigger signals
Sequencer	Automated control for series of images using different sets of parameters
Sequencer Characteristics	up to 256 sets of parameters, up to 4 billion loop passes, up to 4 billion repetitions of sets of parameters, up to 4 billion images per trigger event
Sequencer Parameters	Exposure Time, Gain Factor
Digital I/Os	1 input line (with Debouncer), 1 output line

Interfaces and Connectors

Data Interface	Gigabit Ethernet, Transfer rate 1000 Mbits/sec Connector: 8P8C Modular Jack (RJ45), screw lock type
Process Interface	M8 / 4 pins
Power Interface	M8 / 3 pins

Mechanical Data

Housing	Aluminum, IP40
Lens Mount	C-Mount
Dimensions	36 × 36 × 48 mm
Weight	< 90 g

Electrical Data

Power Supply	8 ... 30 V DC
Power Consumption	approx. 4 Watts

Environmental Data

Operating Temperature	+5 °C ... +50 °C (+41 °F ... +121 °F)
Humidity	10% ... 90% non condensing