

LED Dark Field Light Ø 58 mm

A dark field light for horizontal illumination, made for very small objects.

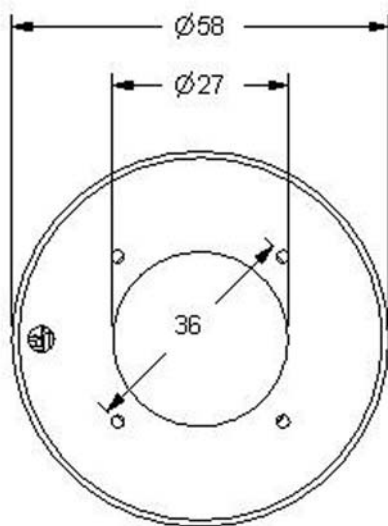
Ultra thin, only 7 mm in thickness.

This light has a diffuser for more evenness of light as standard.

Mounting: Four M3 screws.



Mechanical dimensions



Attachment holes M3(4X), max depth 2.5 mm

Specifications

The dark field light can be used either for steady state or strobe light together with LATAB control units. Supplied with 1 meter cable as standard, longer cable on demand, see section Options.

CE approved and RoHS compliant.

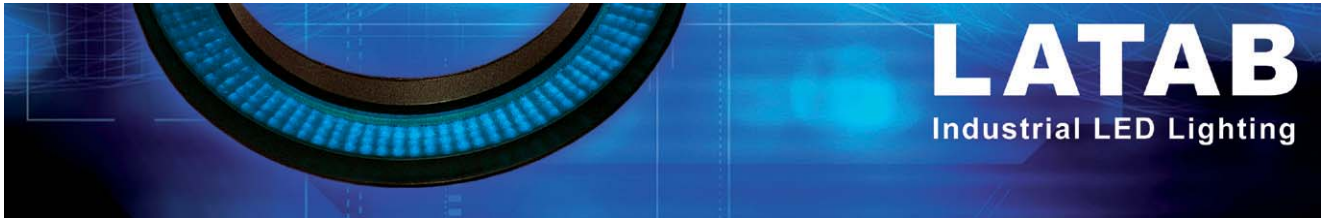
Ordering information

Color	Model	Controller*
Red 630 nm	PAH3 4058	1A/8A
IR 880 nm	PAR3 4058	1A/8A
Green 520 nm	PAG3 4058	1A/8A
Blue 465 nm	PAB3 4058	1A/8A
White	PTW3 4058	1A/8A

* Steady state / Strobe mode

Options

Customized cable length: e.g. add "2 m" to the article No.

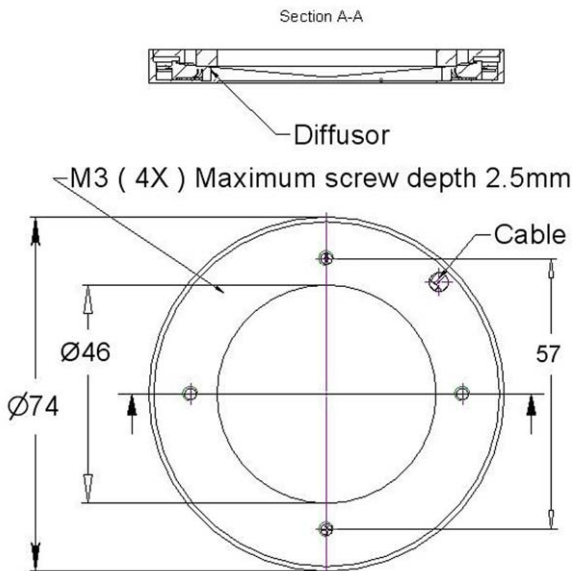


LED Dark Field Light Ø 74 mm

A dark field light for horizontal illumination.
 Ultra thin, only 7 mm in thickness.
 This light has a diffusor for more evenness of light as standard.
 Mounting: Four M3 screws, max depth 2.5 mm.



Mechanical dimensions



Specifications

The dark field light can be used either for steady state or strobe light together with LATAB control units. Supplied with 1 meter cable as standard, longer cable on demand, see section Options.
 CE approved and RoHS compliant.

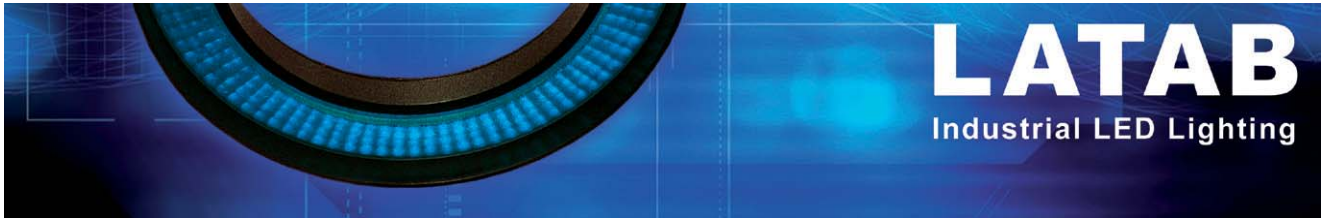
Ordering information

Color	Model	Controller*
Red 630 nm	PAH3 4160	1A/8A
IR 880 nm	PAR3 4160	1A/8A
Green 520 nm	PAG3 4160	1A/8A
Blue 465 nm	PAB3 4160	1A/8A
White	PTW3 4160	1A/8A

* Steady state / Strobe mode

Options

Customized cable length: e.g. add "2 m" to the article No.



LED Dark Field Light Ø 102 mm

A dark field light for horizontal illumination.

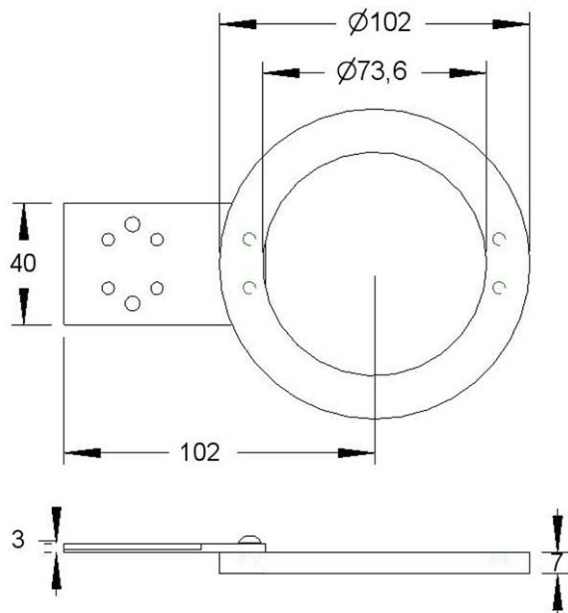
Ultra thin, only 7 mm in thickness.

This light has a diffusor for more evenness of light as standard.

Supplied with a bracket for Bosch or Montech profiles.



Mechanical dimensions



For bracket dimensions see LAD3 6114 (section Options)

Specifications

The dark field light can be used either for steady state or strobe light together with LATAB control units. Supplied with 1 meter cable as standard, longer cable on demand, see section Options.

CE approved and RoHS compliant.

Ordering information

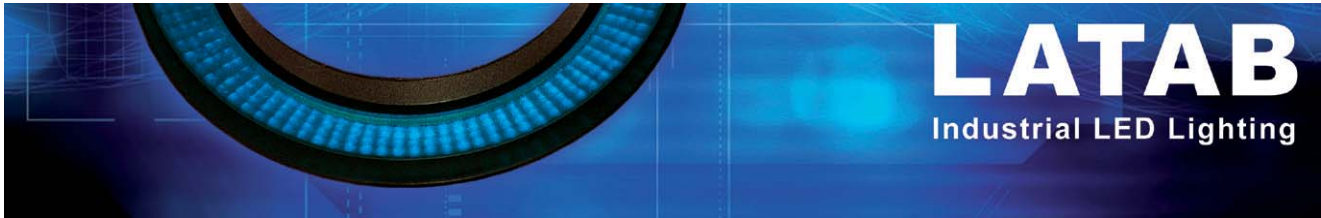
Color	Model	Controller*
Red 630 nm	PAH3 4161	1A/8A
IR 880 nm	PAR3 4161	1A/8A
Green 520 nm	PAG3 4161	1A/8A
Blue 465 nm	PAB3 4161	1A/8A
White	PTW3 4161	1A/8A

* Steady state / Strobe mode

Options

Extra bracket: LAD3 6114

Customized cable length: e.g. add "2 m" to the article No.

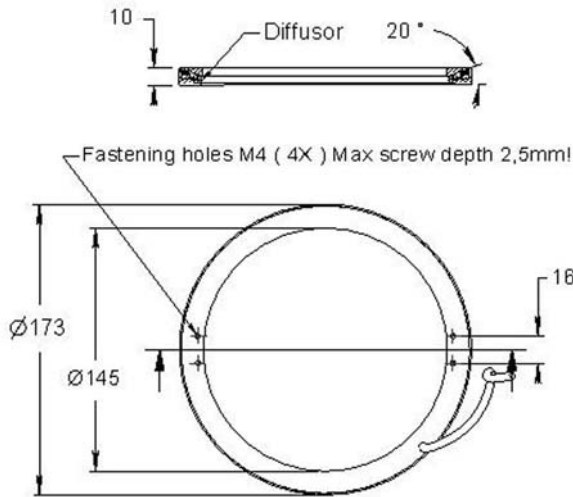


LED Dark Field Light Ø 173 mm

A dark field light for horizontal illumination.
 Ultra thin, only 10 mm in thickness.
 Angle of the LEDs is 20°.
 This light has a diffuser for more evenness of light as standard.



Mechanical dimensions



Specifications

The dark field light can be used either for steady state or strobe light together with LATAB control units. Supplied with 1 meter cable as standard, longer cable on demand, see section Options.

CE approved and RoHS compliant.

Ordering information

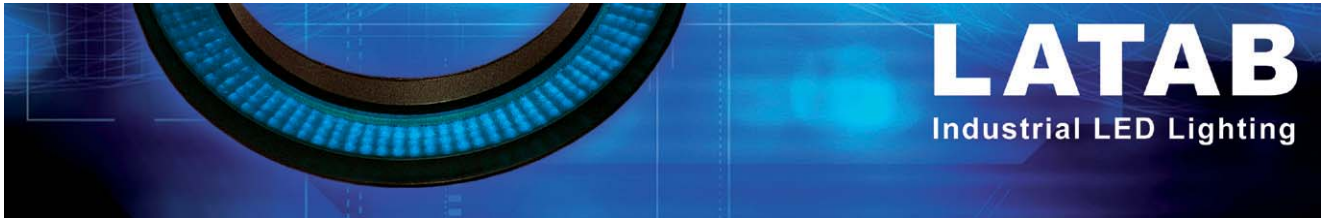
Color	Model	Controller*
Red 630 nm	PAH3 4162	1A/8A
IR 880 nm	PAR3 4162	1A/8A
Green 520 nm	PAG3 4162	1A/8A
Blue 465 nm	PAB3 4162	1A/8A
White	PTW3 4162	1A/8A

* Steady state / Strobe mode

Options

Extra bracket: LAD3 6114

Customized cable length: e.g. add "2 m" to the article No.

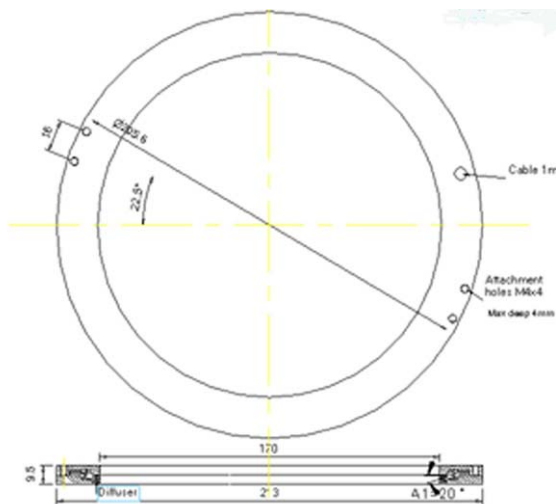


LED Dark Field Light Ø 213 mm

A dark field light for horizontal illumination.
 Ultra thin, only 9.5 mm in thickness.
 Mounting: Four M4 screws or as option bracket.



Mechanical dimensions



Specifications

The dark field can be used either for steady state or strobe light together with LATAB control units. Supplied with 1 meter cable as standard, longer cable on demand, see section Options.

CE approved and RoHS compliant.

Ordering information

Color	Model	Controller*
Red 630 nm	PAH3 4063	1A/8A
IR 880 nm	PAR3 4063	1A/8A
Green 520 nm	PAG3 4063	1A/8A
Blue 465 nm	PAB3 4063	1A/8A
White	PTW3 4063	1A/8A

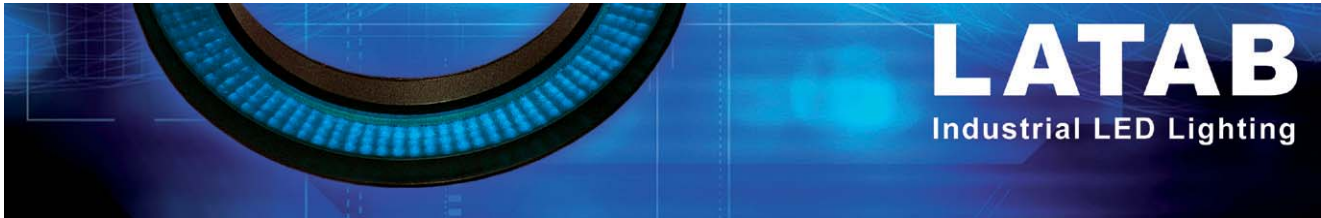
* Steady state / Strobe mode

Options

Bracket: LAD3 6114, see section Options

Diffuser: Add "S" to the article No.

Customized cable length: e.g. add "2 m" to the article No.

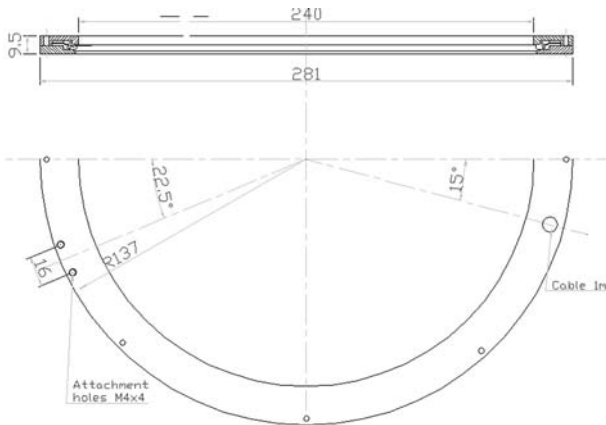


LED Dark Field Light Ø 281 mm

A dark field light for horizontal illumination.
 Ultra thin, only 9.5 mm in thickness.
 Mounting: Four M4 screws or as option bracket.



Mechanical dimensions



Specifications

The dark field light can be used either for steady state or strobe light together with LATAB control units. Supplied with 1 meter cable as standard, longer cable on demand, see section Options.

CE approved and RoHS compliant.

Ordering information

Color	Model	Controller*
Red 630 nm	PAH3 4064	1A/8A
IR 880 nm	PAR3 4064	1A/8A
Green 520 nm	PAG3 4064	1A/8A
Blue 465 nm	PAB3 4064	1A/8A
White	PTW3 4064	1A/8A

* Steady state / Strobe mode

Options

Bracket: LAD3 6114, see section Options

Diffusor: Add "S" to the article No.

Customized cable length: e.g. add "2 m" to the article No.