

Dome Light

A new series of red (amber, 617 nm) dome lights with high intensive LEDs. They have at least 50% more light compared to the well known PAH series.

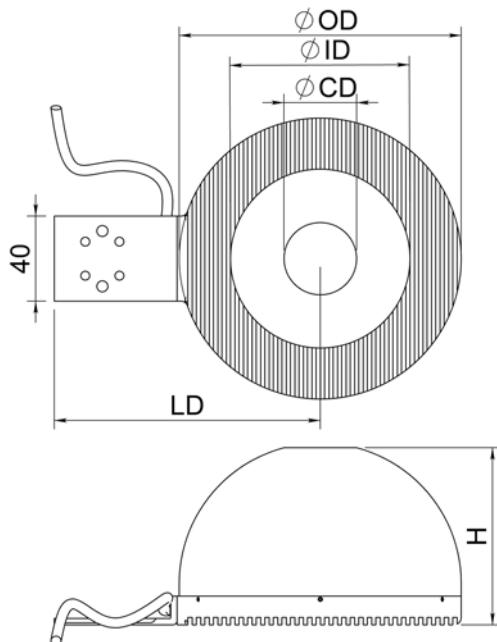
These dome lights are available in a wide range of sizes.

As an option the CD hole (camera hole) can be covered by an adapter in order to reduce the hole size.

SAH Series



Mechanical dimensions



Specifications

The dome light can be used either for steady state or strobe light together with LATAB control units. Supplied with 1 meter cable as standard, longer cable on request, see section Options.

CE approved and RoHS compliant.

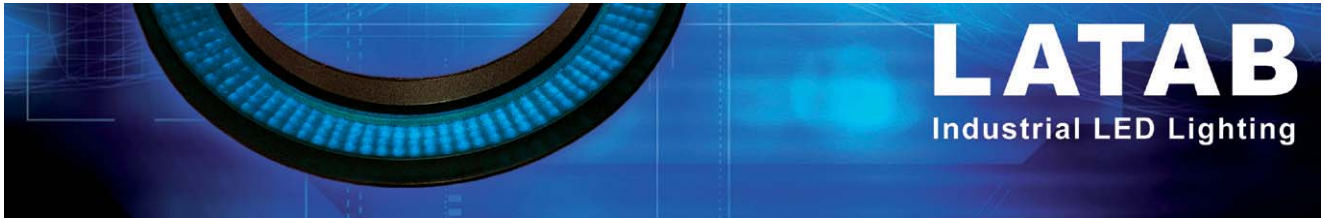
Ordering Information

Size OD / ID / LD / H / CD	Model	Controller*
78 / 34 / 98 / mm	SAH3 2078	1A/8A
102 / 54 / 111 / 69 / 30 mm	SAH3 2102	1A/8A
132 / 84 / 125 / 83 / 34 mm	SAH3 2132	1A/8A
162 / 114 / 140 / 100 / 50 mm	SAH3 2162	3A/24A
202 / 154 / 160 / 124 / 65 mm	SAH3 2202	3A/24A
348 / 299 / 232 / 190 / 100 mm	SAH3 2348	3A/24A

* Steady State / Strobe mode

Options

Customized cable length: e.g. add "2 m" to the article No.



LED Dome Light Ø 44 mm

The smallest dome light with an outer diameter of only 44 mm. Opening for camera is 8 mm, but can be adjusted on request.

Dome lights allow highly shadow free lighting and avoid reflections from reflective objects better than ring lights. The dome lights are housed in a black aluminium ring.

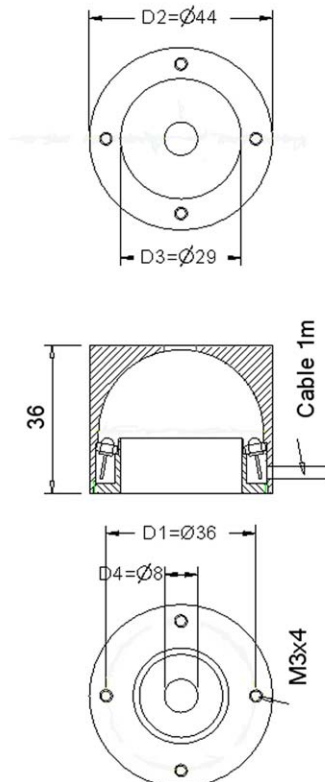
The best evenness of light will be achieved as close as possible to the object.

This dome light is specially designed for very small objects.

Mounting: Four M3 screws, max. depth 2.5 mm.



Mechanical dimensions



Specifications

The dome light can be used either for steady state or strobe light together with LATAB control units. Supplied with 1 meter cable as standard, longer cables on demand, see section Options.

CE approved and RoHS compliant.

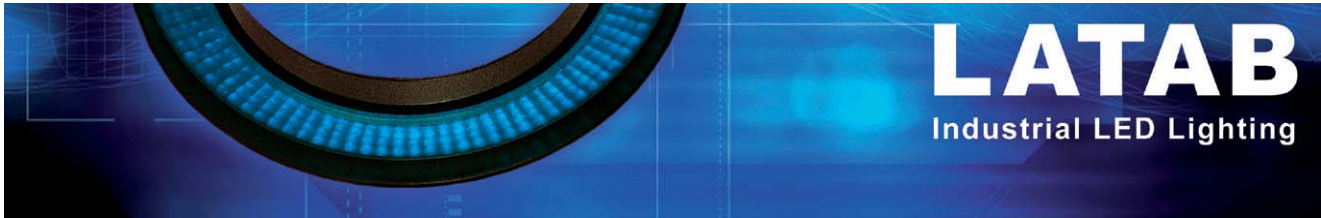
Ordering information

Color	Model	Controller*
Red 630 nm	PAH3 2078	1A/8A
IR 880 nm	PAR3 2078	1A/8A
Green 520 nm	PAG3 2078	1A/8A
Blue 465 nm	PAB3 2078	1A/8A
White	PTW3 2078	1A/8A

* Steady state / Strobe mode

Options

Customized cable length: e.g. add "2 m" to the article No.



LED Dome Light Ø 78 mm

Dome lights allow a highly shadow free lighting and avoid reflections from reflective objects better than ring lights. The opening is 24 mm, but can be adjusted on request.

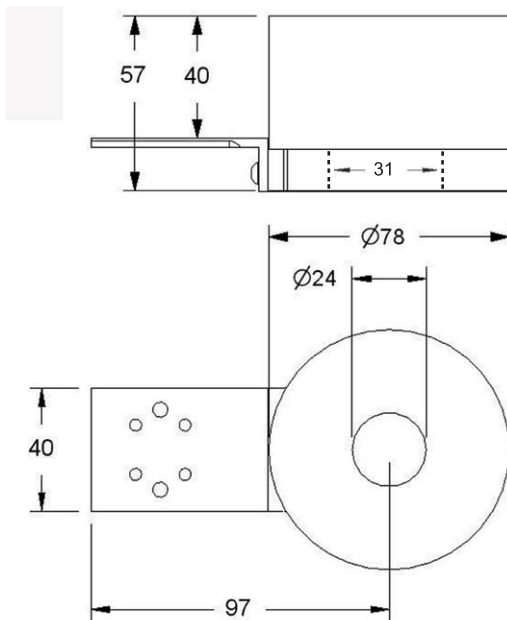
This light is supplied with a bracket for Bosch or Montech profiles. The dome lights are housed in a black aluminium ring.

The best evenness of light will be achieved as close as possible to the object.

This dome light is specially designed for very small objects.



Mechanical dimensions



For bracket dimensions see LAD3 7217 (section Options)

Specifications

The dome light can be used either for steady state or strobe light together with LATAB control units. Supplied with 1 meter cable as standard, longer cable on demand, see section Options.

CE approved and RoHS compliant.

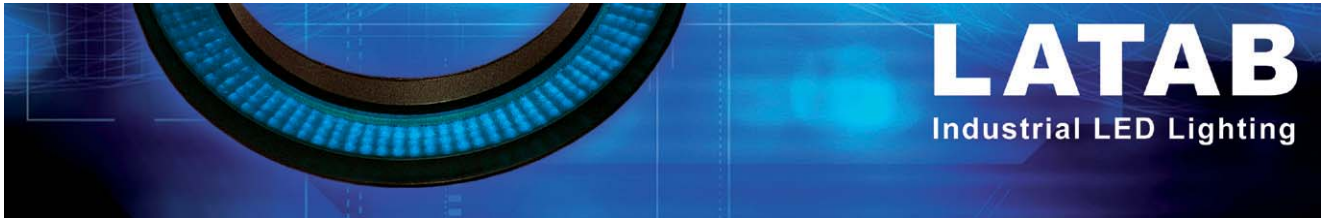
Ordering information

Color	Model	Controller*
Red 630 nm	PAH3 2079	1A/8A
IR 880 nm	PAR3 2079	1A/8A
Green 520 nm	PAG3 2079	1A/8A
Blue 465 nm	PAB3 2079	1A/8A
White	PTW3 2079	1A/8A

* Steady state / Strobe mode

Options

Customized cable length: e.g. add "2 m" to the article No.



LED Dome Light Ø 102 mm

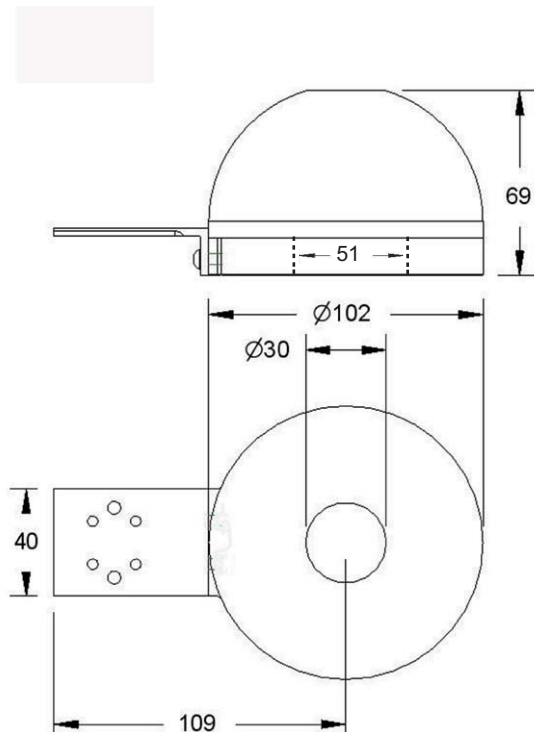
Dome lights allow a highly shadow free lighting and avoid reflections from reflective objects better than ring lights. The opening is 30 mm, but can be adjusted on request.

This light is supplied with a bracket for Bosch or Montech profiles. The dome lights are housed in a black aluminium ring.

The best evenness of light will be achieved as close as possible to the object.



Mechanical dimensions



Specifications

The dome light can be used either for steady state or strobe light together with LATAB control units. Supplied with 1 meter cable as standard, longer cable on demand, see section Options.

CE approved and RoHS compliant.

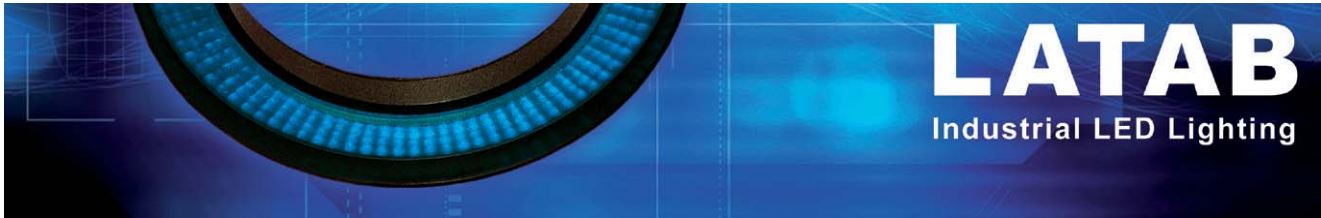
Ordering information

Color	Model	Controller*
Red 630 nm	PAH3 2080	1A/8A
IR 880 nm	PAR3 2080	1A/8A
Green 520 nm	PAG3 2080	1A/8A
Blue 465 nm	PAB3 2080	1A/8A
White	PTW3 2080	1A/8A

* Steady state / Strobe mode

Options

Customized cable length: e.g. add "2 m" to the article No.



LED Dome Light Ø 162 mm

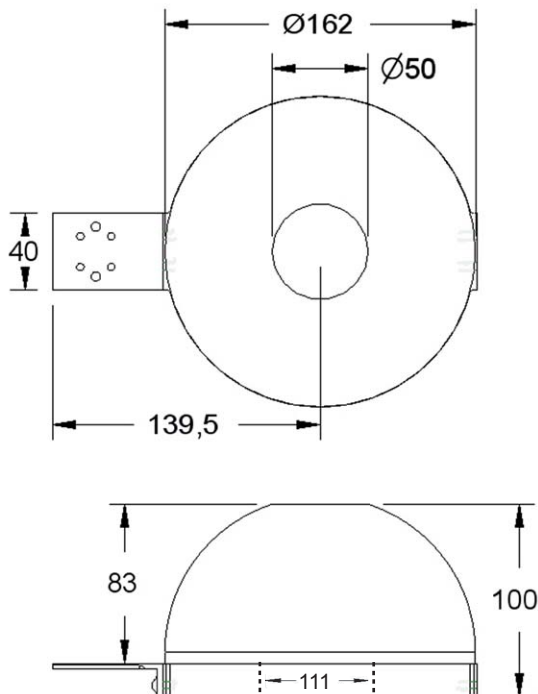
Dome lights allow a highly shadow free lighting and avoid reflections from reflective objects better than ring lights. The opening for the camera is 50 mm, but can be adjusted on request.

This light is supplied with a bracket for Bosch or Montech profiles. The dome lights are housed in a black aluminium ring.

The best evenness of light will be achieved as close as possible to the object.



Mechanical dimensions



Specifications

The dome light can be used either for steady state or strobe light together with LATAB control units. Supplied with 1 meter cable as standard, longer cable on demand, see section Options.

CE approved and RoHS compliant.

Ordering information

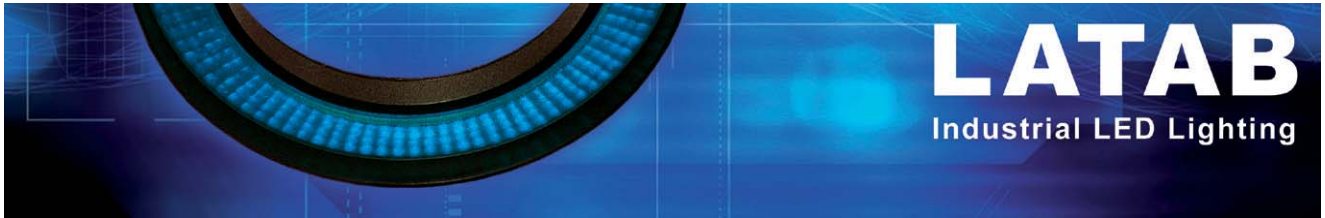
Color	Model	Controller*
Red 630 nm	PAH3 2081	1A/8A
IR 880 nm	PAR3 2081	1A/8A
Green 520 nm	PAG3 2081	1A/8A
Blue 465 nm	PAB3 2081	1A/8A
White	PTW3 2081	1A/8A

* Steady state / Strobe mode

Options

Extra bracket: LAD3 7217

Customized cable length: e.g. add "2 m" to the article No.



LED Dome Light Ø 202 mm

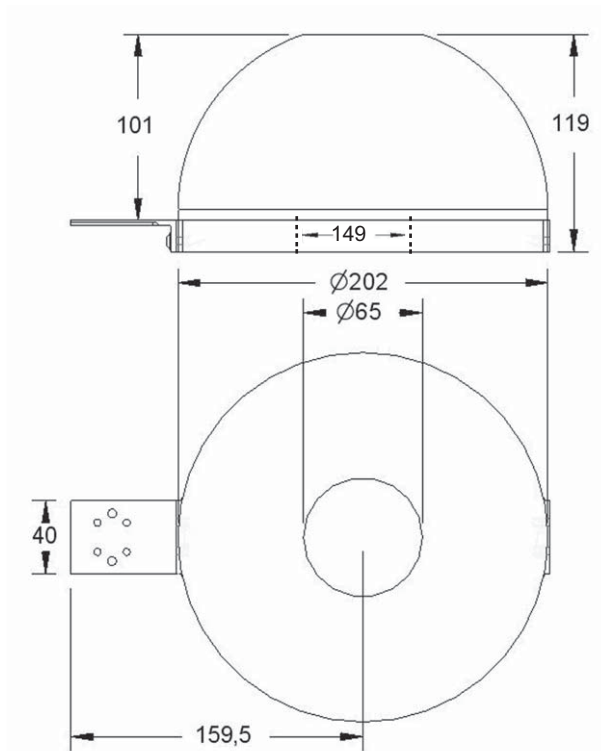
Dome lights allow a highly shadow free lighting and avoid reflections from reflective objects better than ring lights. The opening for the camera is 65 mm, but can be adjusted on request.

This light is supplied with a bracket for Bosch or Montech profiles. The dome lights are housed in a black aluminium ring.

The best evenness of light will be achieved as close as possible to the object.



Mechanical dimensions



Specifications

The dome light can be used either for steady state or strobe light together with LATAB control units. Supplied with 1 meter cable as standard, longer cable on demand, see section Options.

CE approved and RoHS compliant.

Ordering information

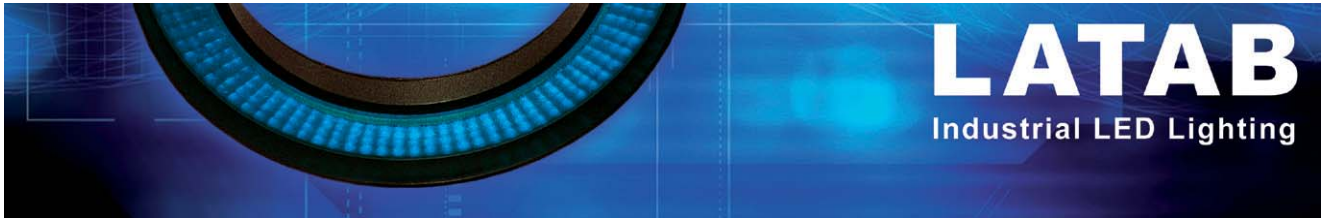
Color	Model	Controller*
Red 630 nm	PAH3 2082	1A/8A
IR 880 nm	PAR3 2082	1A/8A
Green 520 nm	PAG3 2082	3A/24A
Blue 465 nm	PAB3 2082	3A/24A
White	PTW3 2082	3A/24A

* Steady state / Strobe mode

Options

Extra bracket: LAD3 7217

Customized cable length: e.g. add "2 m" to the article No.



LED Dome Light Ø 348 mm

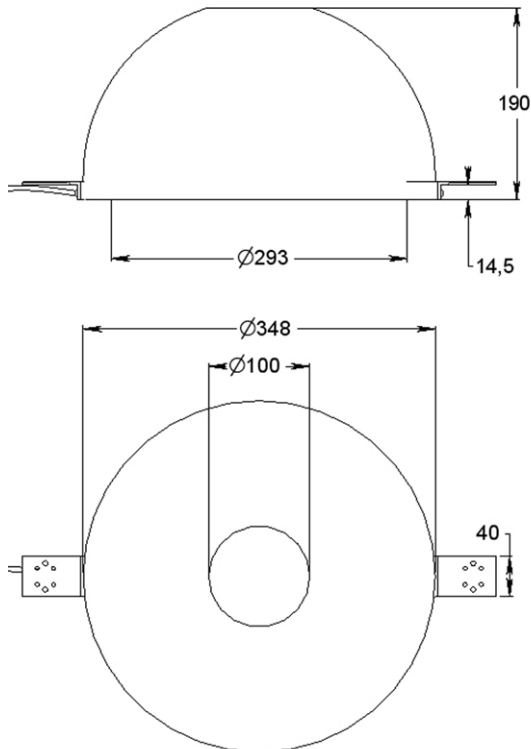
Dome lights allow a highly shadow free lighting and avoid reflections from reflective objects more than ring lights. The opening for the camera is 100 mm, but can be adjusted on request.

This light is supplied with two brackets for Bosch or Montech profiles. The dome lights are housed in a black aluminium ring.

The best evenness of light will be achieved as close as possible to the object.



Mechanical dimensions



For bracket dimensions see LAD3 7217 (section Options)

Specifications

The dome light can be used either for steady state or strobe light together with LATAB control units. Supplied with 1 meter cable as standard, longer cable on demand, see section Options.

CE approved and RoHS compliant.

Ordering information

Color	Model	Controller*
Red 630 nm	PAH3 2090	3A/24A
IR 880 nm	PAR3 2090	3A/24A
Green 520 nm	PAG3 2090	3A/24A
Blue 465 nm	PAB3 2090	3A/24A
White	PTW3 2090	3A/24A

* Steady state / Strobe mode

Options

Customized cable length: e.g. add "2 m" to the article No.