

Ring Light

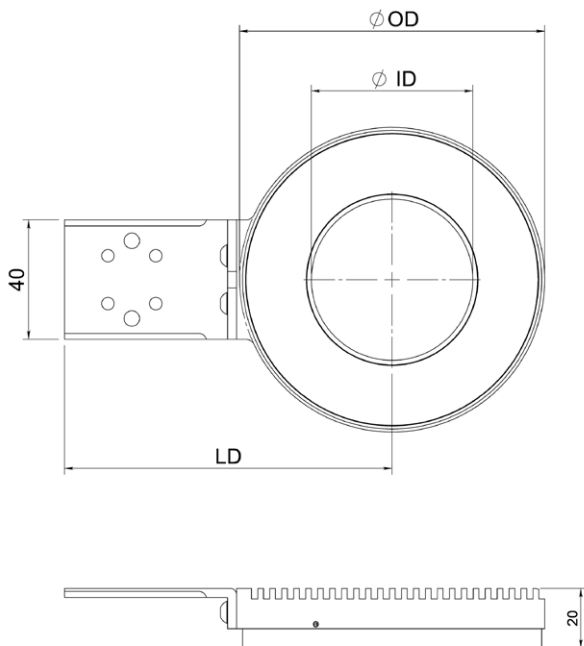
A new series of red (amber, 617 nm) ring lights with high intensive LEDs. They have at least 50% more light compared to the well known PAH series.

These ring lights are available in a wide range of sizes.

SAH Series



Mechanical dimensions



Specifications

The ring light can be used either for steady state or strobe light together with LATAB control units. Supplied with 1 meter cable as standard, longer cable on request, see section Options.

CE approved and RoHS compliant.

Ordering Information

Size OD / ID / LD	Model	Controller*
78 / 34 / 98 mm	SAH3 1078	1A/8A
102 / 54 / 111 mm	SAH3 1102	1A/8A
132 / 84 / 125 mm	SAH3 1132	1A/8A
162 / 114 / 140 mm	SAH3 1162	3A/24A
202 / 154 / 160 mm	SAH3 1202	3A/24A
348 / 299 / 232 mm	SAH3 1348	3A/24A

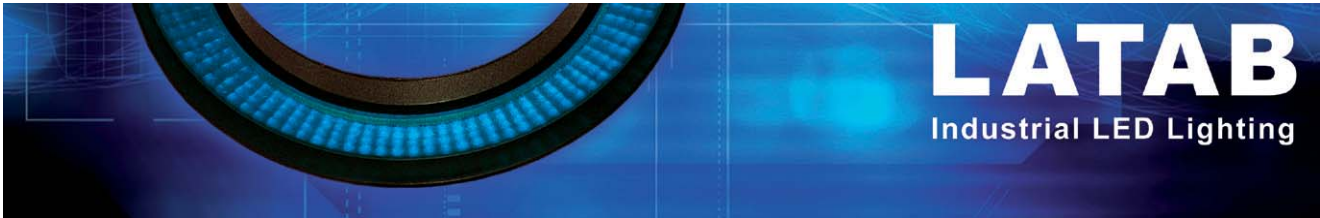
*1A: for steady state mode; 8A: for strobe mode

Options

Split diffusor: Add "S" to the article number.
 Customized cable length: e.g. add "2 m" to the article No.

Accessories

Polarization filter



LED Ring Light Ø 44 mm

Ring lights allow shadow free lighting and are useful when illuminating reflective objects.

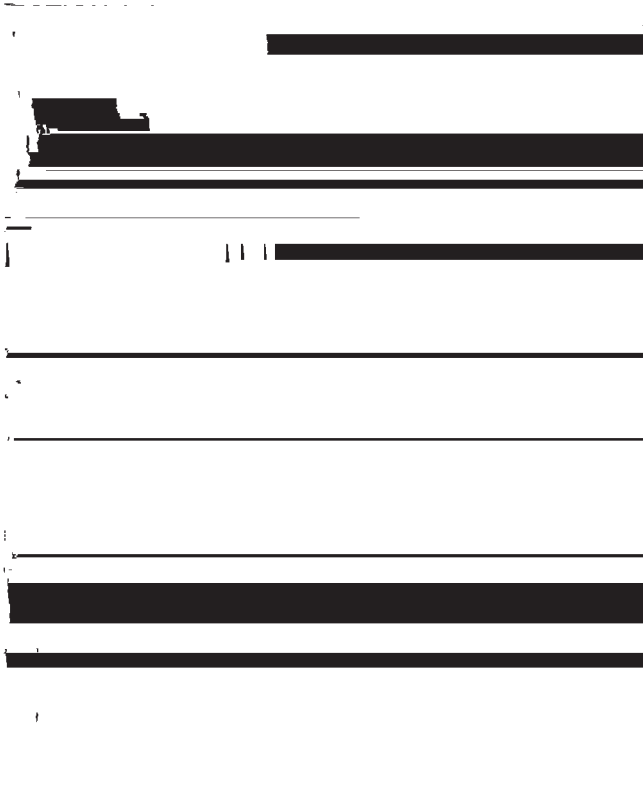
The ring lights are housed in a black aluminium ring without diffusor and have very small dimensions.

The best evenness of light will be achieved at a working distance of 20-25 mm from the light.

Mounting: Four M3 screws, max. depth 2.5 mm.



Mechanical dimensions



Specifications

The ring light can be used either for steady state or strobe light together with the LATAB control units. Supplied with 1 meter cable as standard, longer cables are available on demand, see section Options.

Recommended working distance: 20-25 mm.
CE approved and RoHS compliant.

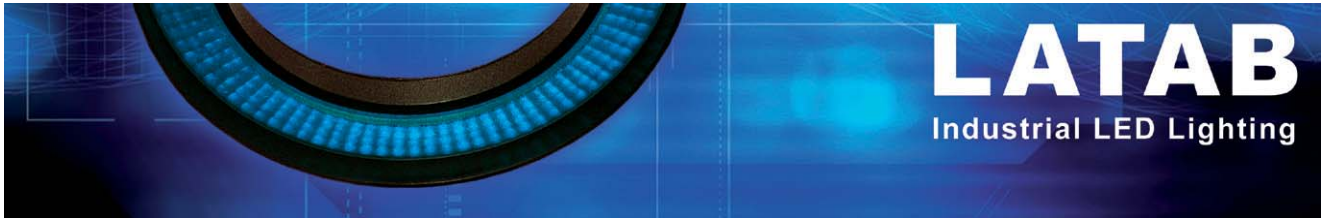
Ordering information

Color	Model	Controller*
Red 630 nm	PAH3 1074	1A/8A
IR 880 nm	PAR3 1074	1A/8A
Green 520 nm	PAG3 1074	1A/8A
Blue 465 nm	PAB3 1074	1A/8A
White	PTW3 1074	1A/8A

* Steady state / Strobe mode

Options

Split diffusor: Add "S" to the article number.
Customized cable length: e.g. add "2 m" to the article No.



LED Ring Light Ø 78 mm

Ring lights allow shadow free lighting and are useful when illuminating reflective objects.

The ring light can be used in combination with polarization filter to minimize or eliminate reflection.

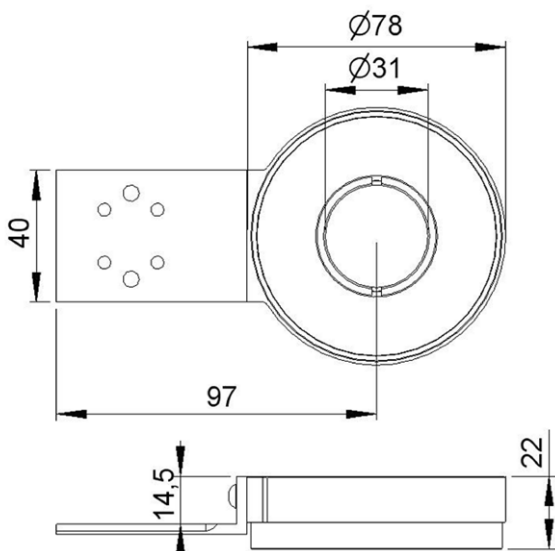
This light is supplied with a bracket for Bosch or Montech profiles.

The ring lights are housed in a black aluminium ring with a specially designed diffuser for evenness of light.

The best evenness of light will be achieved at a working distance of about 50 mm from the light head.



Mechanical dimensions



For bracket dimensions see LAD3 7217 (section Options)

Specifications

The ring light can be used either for steady state or strobe light together with LATAB control units.

Supplied with 1 meter cable as standard, longer cable on demand, see section Options.

Recommended working distance: 50 mm.
CE approved and RoHS compliant.

Ordering information

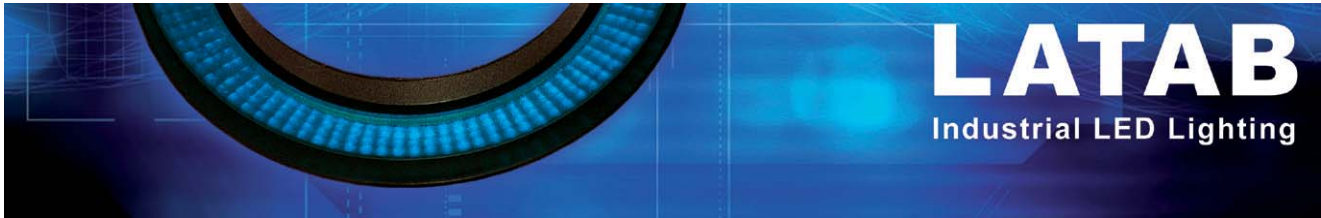
Color	Model	Controller*
Red 630 nm	PAH3 1010	1A/8A
IR 880 nm	PAR3 1010	1A/8A
Green 520 nm	PAG3 1010	1A/8A
Blue 465 nm	PAB3 1010	1A/8A
White	PTW3 1010	1A/8A

* Steady state / Strobe mode

Options

Polarization filter: LFL3 1070

Customized cable length: e.g. add "2 m" to the article No.



LED Ring Light Ø 102 mm

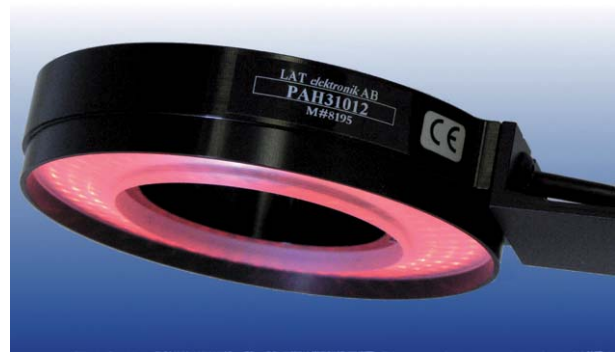
Ring lights allow shadow free lighting and are useful when illuminating reflective objects.

In order to further avoid reflection this ring light can be used in combination with polarization filter.

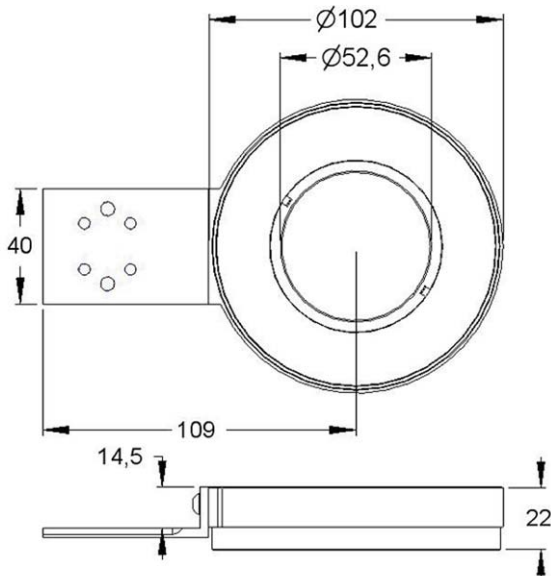
This light is supplied with a bracket for Bosch or Montech profiles.

The ring lights are housed in a black aluminium ring with a specially designed diffuser for evenness of light.

The best evenness will be achieved at a distance of about 80 mm from the light head.



Mechanical dimensions



For bracket dimensions see LAD3 7217 (section Options)

Specifications

The ring light can be used either for steady state or strobe light together with LATAB control units.

Supplied with 1 meter cable as standard, longer cable on demand, see Options.

Recommended working distance: 80 mm.
CE approved and RoHS compliant.

Ordering information

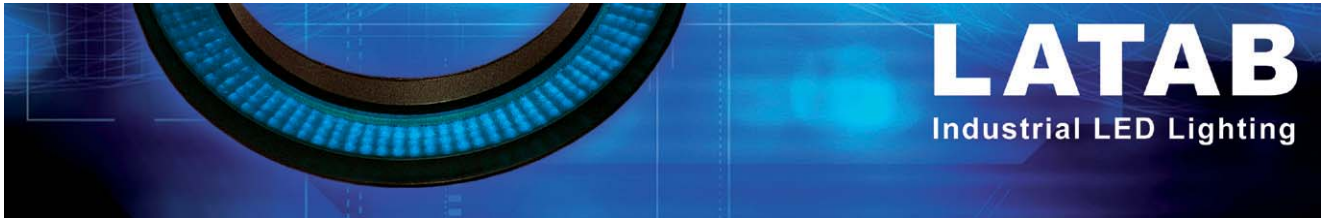
Color	Model	Controller*
Red 630 nm	PAH3 1012	1A/8A
IR 880 nm	PAR3 1012	1A/8A
Green 520 nm	PAG3 1012	1A/8A
Blue 465 nm	PAB3 1012	1A/8A
White	PTW3 1012	1A/8A

* Steady state / Strobe mode

Options

Polarization filter: LFL3 1071

Customized cable length: e.g. add "2 m" to the article No.



LED Ring Light Ø 162 mm

Ring lights allow shadow free lighting and are useful when illuminating reflective objects.

This light is supplied with a bracket for Bosch or Montech profiles.

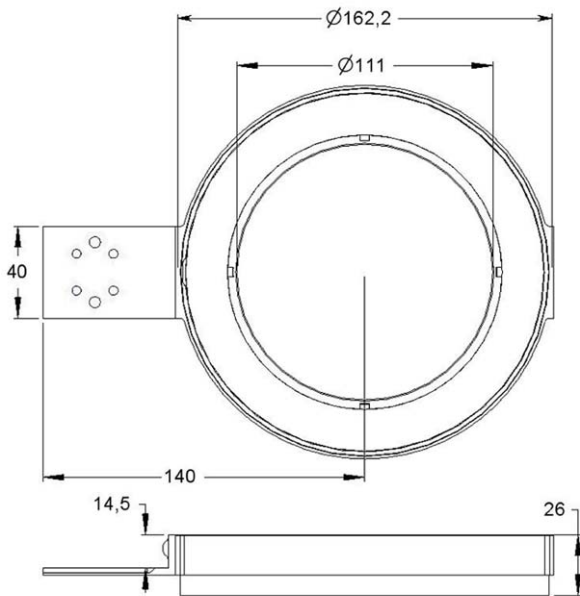
As an option an extra bracket is available.

The ring lights are housed in a black aluminium ring with a specially designed diffuser for evenness of light.

The best evenness will be achieved at a distance of about 140 mm from the light head.



Mechanical dimensions



For bracket dimensions see LAD3 7217 (section Options)

Specifications

The ring light can be used either for steady state or strobe light together with LATAB control units. Supplied with 1 meter cable as standard, longer cable on demand, see Options.

Recommended working distance: 140 mm.
CE approved and RoHS compliant.

Ordering information

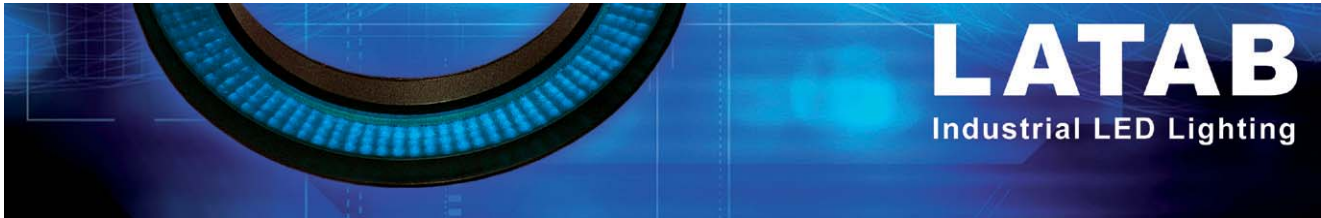
Color	Model	Controller*
Red 630 nm	PAH3 1072	1A/8A
IR 880 nm	PAR3 1072	1A/8A
Green 520 nm	PAG3 1072	1A/8A
Blue 465 nm	PAB3 1072	1A/8A
White	PTW3 1072	1A/8A

* Steady state / Strobe mode

Options

Extra bracket: LAD3 7217

Customized cable length: e.g. add "2 m" to the article No.



LED Ring Light Ø 202 mm

Ring lights allow shadow free lighting and are useful when illuminating reflective objects.

This light is supplied with a bracket for Bosch or Montech profiles.

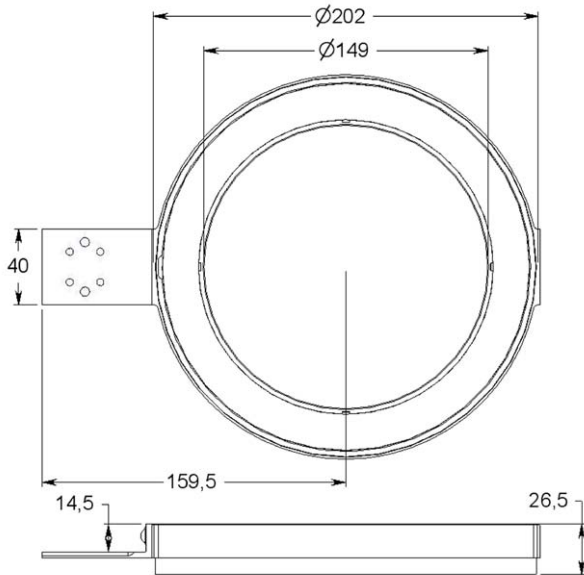
As an option an extra bracket is available.

The ring lights are housed in a black aluminium ring with a specially designed diffuser for evenness of light.

The best evenness will be achieved at a distance of about 180 mm from the light head.



Mechanical dimensions



For bracket dimensions see LAD3 7217 (section Options)

Specifications

The ring light can be used either for steady state or strobe light together with LATAB control units. Supplied with 1 meter cable as standard, longer cable on demand, see section Options. Recommended working distance: 180 mm.

CE approved and RoHS compliant.

Ordering information

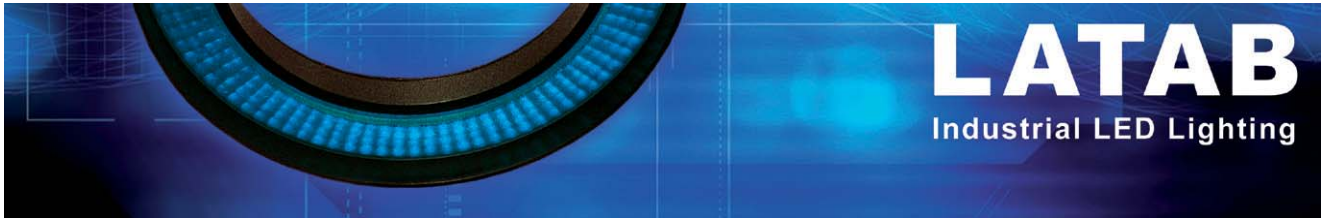
Color	Model	Controller*
Red 630 nm	PAH3 1073	1A/8A
IR 880 nm	PAR3 1073	1A/8A
Green 520 nm	PAG3 1073	1A/8A
Blue 465 nm	PAB3 1073	1A/8A
White	PTW3 1073	1A/8A

* Steady state / Strobe mode

Options

Extra bracket: LAD3 7217

Customized cable length: e.g. add "2 m" to the article No.



LED Ring Light Ø 348 mm

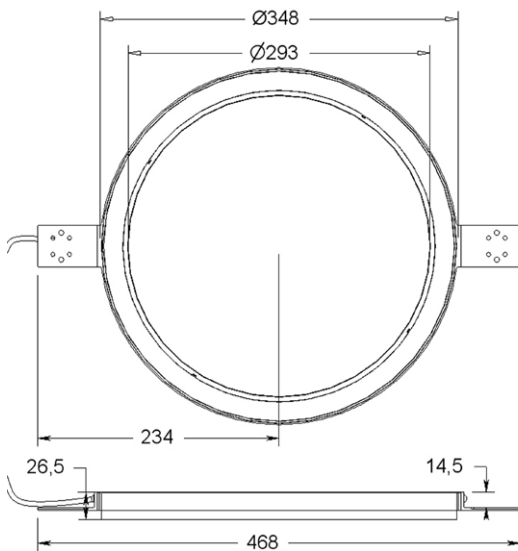
Ring lights allow shadow free lighting and are useful when illuminating reflective objects.

This light is supplied with two brackets for Bosch or Montech profiles.

The ring lights are housed in a black aluminium ring with a specially designed diffuser for evenness of light.



Mechanical dimensions



For bracket dimensions see LAD3 7217 (section Options)

Specifications

The ring light can be used either for steady state or strobe light together with LATAB control units.

Supplied with 1 meter cable as standard, longer cable on demand, see section Options.

CE approved and RoHS compliant.

Ordering information

Color	Model	Controller*
Red 630 nm	PAH3 1090	3A/24A
IR 880 nm	PAR3 1090	3A/24A
Green 520 nm	PAG3 1090	3A/24A
Blue 465 nm	PAB3 1090	3A/24A
White	PTW3 1090	3A/24A

* Steady state / Strobe mode

Options

Customized cable length: e.g. add "2 m" to the article No.