

Tunnel Light

SAH Series

A tunnel light with dome-like functions allows a highly shadow-free illuminating and avoids reflections from reflective objects more than ring lights. The lights are housed in black aluminium.

The best evenness of light will be achieved as close as possible to the object.

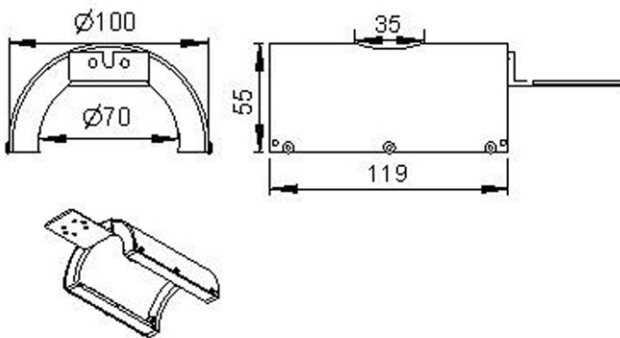
In order to avoid "Camera hole shadow" it is possible to use a coaxial light together with this tunnel light.

Available in different lengths from 119 mm to 371 mm. On request the camera hole can be made as a custom design.

It is possible to use brackets, one in each end.



Mechanical dimensions



Specifications

The tunnel light can be used either for steady state or strobe light together with LATAB control units. Supplied with 1 meter cable as standard, longer cable on demand, see section Options.

CE approved and RoHS compliant.

Ordering information

Size length	Model	Controller*
119 mm	SAH3 5203	1A/8A
155 mm	SAH3 5204	1A/8A
191 mm	SAH3 5205	1A/8A
227 mm	SAH3 5206	1A/8A
263 mm	SAH3 5207	1A/8A
199 mm	SAH3 5208	1A/8A
336 mm	SAH3 5209	1A/8A
371 mm	SAH3 5210	1A/8A

* Steady state / Strobe mode

Option

Bracket: LAD3 7217

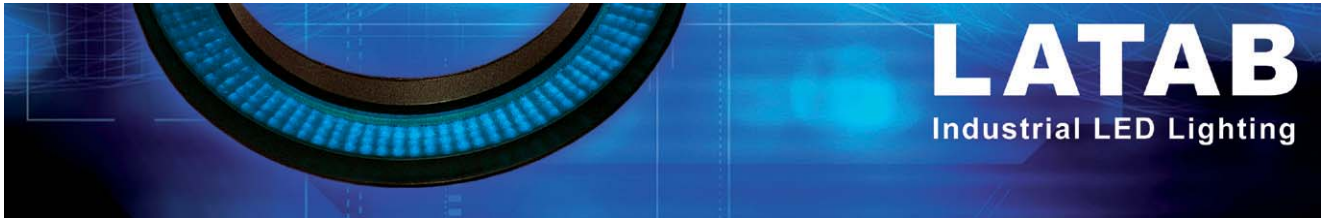
Camera hole: customer-specific.

Customized cable length: e.g. add "2 m" to the article No.

Accessories

Bracket: LAD3 7217

Camera hole: customer-specific



LED Tunnel Light Ø 100 mm

A tunnel light with dome-like functions allows a highly shadow-free illuminating and avoids reflections from reflective objects more than ring lights. The lights are housed in black aluminium.

The best evenness of light will be achieved as close as possible to the object.

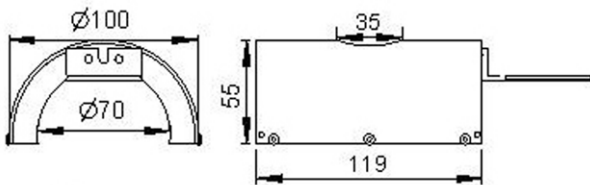
In order to avoid "Camera hole shadow" it is possible to use a coaxial light together with this tunnel light.

Available in different lengths from 119 mm to 371 mm. On request the camera hole can be made as a custom design.

It is possible to use brackets, one in each end.



Mechanical dimensions



Size XX	Red/IR	Green/Blue/White
03/ 119 mm	Available	Not available
04/ 155 mm	Available	Available
05/ 191 mm	Available	Not available
06/ 227 mm	Available	Available
07/ 263 mm	Available	Not available
08/ 299 mm	Available	Available
09/ 335 mm	Available	Not available
10/ 371 mm	Available	Available

Specifications

The tunnel light can be used either for steady state or strobe light together with LATAB control units. Supplied with 1 meter cable as standard, longer cable on demand, see section Options.

CE approved and RoHS compliant.

Ordering information

Color	Model	Controller*
Amber 617 nm	TAD3 52XX	1A/8A
IR 880 nm	TAR3 52XX	1A/8A
Green 520 nm	TAG3 52XX	1A/8A
Blue 465 nm	TAB3 52XX	1A/8A
White	TTW3 52XX	1A/8A

* Steady state / Strobe mode

Options

Bracket: LAD3 7217

Camera hole: customer-specific.

Customized cable length: e.g. add "2 m" to the article No.