

PAD industrial LED-Lighting

Polarization filter for ring lights

Polarization filter for ring light Do75 and 100 mm.

The filter consist of two parts, one outer part for the ringlight and one inner part for the camera. The outer part is fixed by three screws and the inner is turnable in order to adjust the right polarization effect.

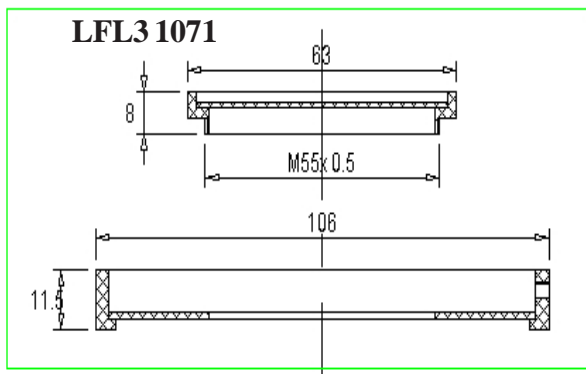
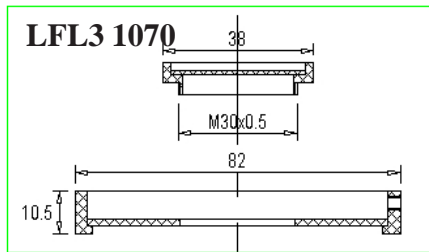
The used polarisation filter is HN38 with a total luminous transmittance of approximately 38% and is noted for its freedom from colour distortion.

Other types of polarization filters on request.

The Mechanical parts of the filters are housed in black aluminium.



Mechanical dimensions:



Specifications:

Two parts in black aluminium.
Polarization filter HN38, (Polaroid)

Order information:

75mm (HN38)

100mm (HN38)

LFL3 1070

LFL3 1071