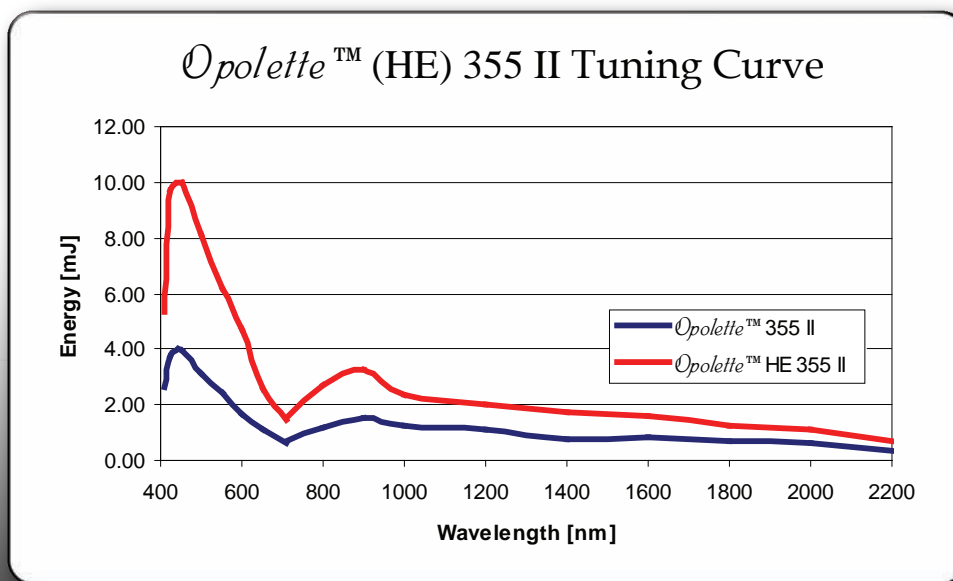




*Opolette*TM (HE) 355 II

The *Opolette*TM is an integrated, turn-key tunable laser system with the smallest footprint (7x12") in its category. All optical components (including the pump laser, the OPO, and optional UV module) are securely mounted on the same hermetically sealed frame. The user-friendly control software allows access to all system functions via a single USB cable.

The *Opolette*TM (HE) 355 II incorporates a type II OPO pumped at 355 nm. The patented OPO* is a Double Resonance Oscillator (DRO) as well as a Double Pass Oscillator (DPO), resulting in high conversion efficiency, walk-off and beam steering cancellation, and excellent pointing stability.



Features

- Wide tuning range: 410 nm to 2.2 μm
- Little to no maintenance
- Small footprint: 7x12"
- Computer controlled
- Software development kit



*All specifications are subject to change without notice

* US Patent #6,295,160

Opolette™ (HE) 355 II



Pump Laser Specifications

Pump Laser	Nd:YAG	Flashlamp pumped
Pump Wavelength	355 nm	
Pulse Repetition Rate (PRR)	20 Hz	Lower rep rate can be selected
Pulse length	5 ns	Nominal
Beam Diameter	3 (4) mm	Nominal
External Trigger	Lamp and Q-Switch	Flashlamp has to operate at designed PRR

OPO Parameters

Wavelength Tuning Range	410 - 2200 nm	No wavelength "gap" at degeneracy
Peak OPO Energy	4 (10) mJ	See tuning graph
Spectral Linewidth	~ 4 - 7 cm ⁻¹	
Beam Divergence	Horizontal < 10 mrad Vertical ~ 2 mrad	FWHM
Polarization	Signal: Horizontal Idler: Vertical	Linear polarization
Computer Control	All the laser and OPO functions	ON, OFF, Power, Rep-Rate, Tuning, Scan

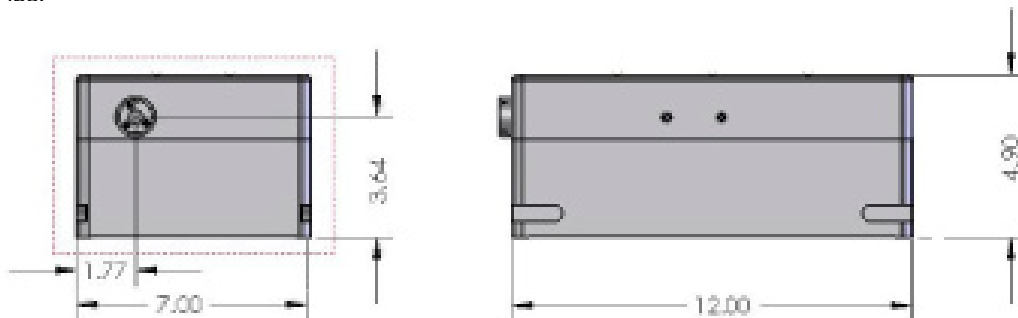
** Data in () refers to Opolette™ HE, which incorporates a high energy pump laser.*

Options

Access to Fundamentals	1064 nm, 532 nm, and/or 355 nm output
Auto Polarizer	Switch between Signal and Idler automatically
Fiber Delivery	> 60% transmission; 2m fiber, mounted lenses, polishing kit
UV Doubling	Extended UV tuning; 210 nm - 355 nm
Variable Attenuator	Attenuate OPO output from 0 - 100%
Wavemeter	Real-time wavelength measurement, Fast Scan™, closed-loop tuning

Laser Head Dimensions

Weight: 25 lbs.



Pump Laser Power Supply

Control Electronics Unit

Dimensions	14" (H) x 5.25" (W) x 17" (L)	3.75" (H) x 10.25" (W) x 11.5" (L)
Weight	32 lbs.	5 lbs.
Voltage	Single phase, 100 - 240 V	Single phase, 100 - 240V
Input Power	< 850 Watts	< 100 Watts
Cooling	Internal water to air heat exchanger	