

# PAD industrial LED-Lighting

## LED Ring Light OD 162mm

Ring lights provide shadow free lighting and are useful when imaging reflective objects.

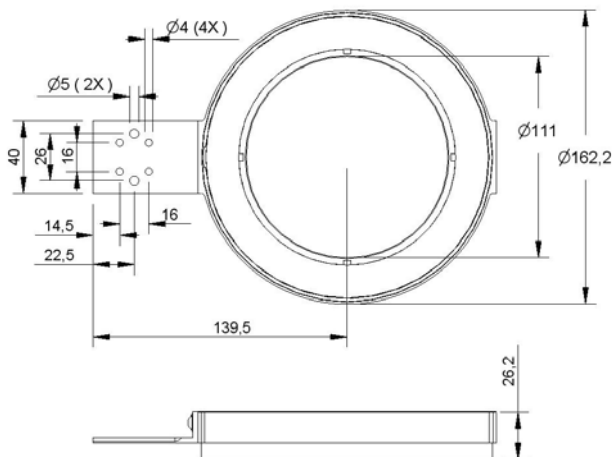
This light is supplied with a bracket for Bosch or Montech- profiles.

As an option an extra bracket is available. The ring lights are housed in a black aluminium ring with one special designed diffuser for evenness of light.

The best evenness will be achieved at a distance of about 130 mm from object.



### Mechanical dimensions:



### Specifications:

Can be used for either steady state or strobe mode together with our control units.

Delivered with 1 meter cable for controller connection.

CE-approved/RoHS compliant.

### Order information:

		Controllers St.St/Strobe
Red 630 nm	PAH3 1072	1A/8A
Red 640 nm	PAD3 1072	1A/8A
IR 880 nm	PAR3 1072	1A/8A
Green 520 nm	PAG3 1072	1A/8A
Blue 465 nm	PAB3 1072	1A/8A
White	PTW3 1072	1A/8A

### Option:

Extra bracket: LAD3 7217