

PAD industrial LED-Lighting

LED Ring Light OD 202mm

Ring lights provide shadow free lighting and are useful when imaging reflective objects.

This light is supplied with a bracket for Bosch or Montech- profiles.

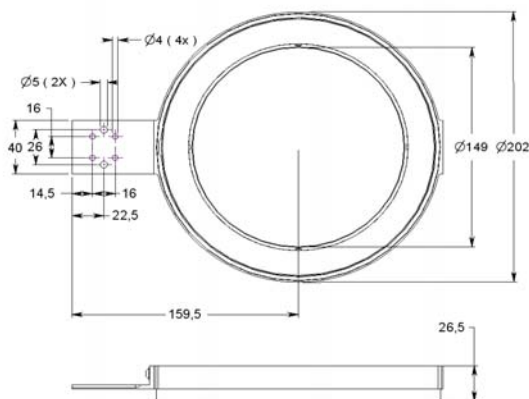
As an option an extra bracket is available.

The ring lights are housed in a black aluminium ring with one special designed diffuser for evenness of light.

The best evenness will be achieved at a distance of about 200 mm from object.



Mechanical dimensions:



Specifications:

Can be used for either steady state or strobe mode together with our control units.

Delivered with 1 meter cable for controller connection.

CE-approved/RoHS compliant.

Order information:

		Controllers St.St/Strobe
Red 630 nm	PAH3 1073	1A/8A
Red 640 nm	PAD3 1073	1A/8A
IR 880 nm	PAR3 1073	1A/8A
Green 520 nm	PAG3 1073	3A/24A
Blue 465 nm	PAB3 1073	3A/24A
White	PTW3 1073	3A/24A

Option:

Extra bracket: LAD3 7217