

PAD industrial LED-Lighting

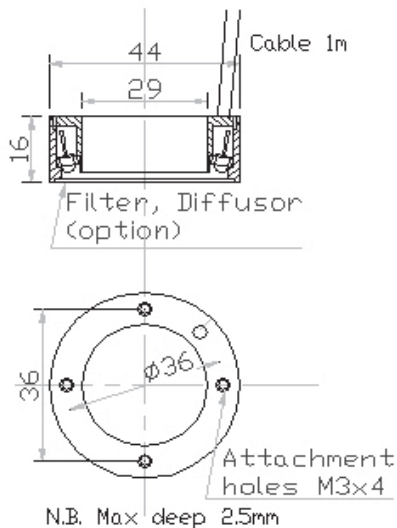
LED Ring Light OD 44mm

Ring lights provide shadow free lighting and are useful when imaging reflective objects.

This ring light is extremely small.
The ring lights are housed in black aluminium ring without diffuser.
The best evenness of light will be achieved at a distance of 20-25 mm from object.
Mounting: Four M3 screws.



Mechanical dimensions:



Specifications:

Can be used either for steady state or strobe mode together with our control units.
Supplied with 1 meter cable for controller connection.
CE-approved/RoHS compliant.

Order information:

Red 630 nm	PAH3 1074
Red 640 nm	PAD3 1074
IR 880 nm	PAR3 1074
Green 520 nm	PAG3 1074
Blue 465 nm	PAB3 1074
White	PTW3 1074

Controllers St.St/Strobe

0.3A/8A
0.3A/8A
0.3A/8A
0.3A/8A
0.3A/8A
0.3A/8A

Option:

Split diffuser: Add suffix "S"