

PAD industrial LED-Lighting

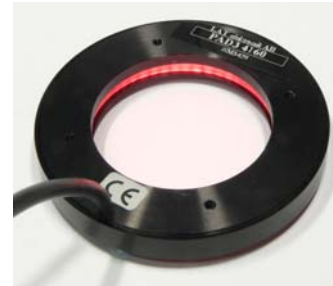
LED Dark Field, OD 58mm

A dark field light for horizontal illumination, made for very small objects.

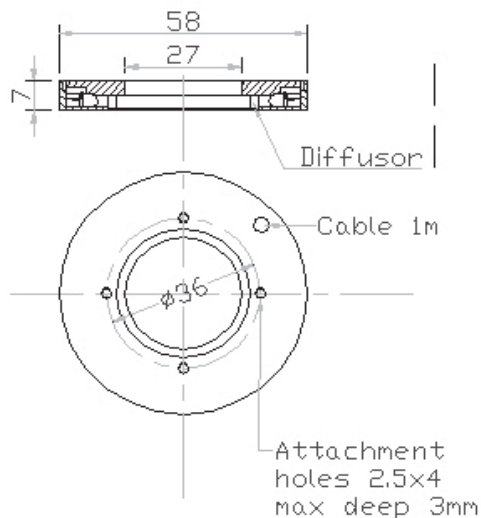
Ultra thin, only 7mm in thickness.

As standard this light has a diffuser for more evenness of light

Mounting: Four M3 screws.



Mechanical dimensions:



Specifications:

Can be used for either steady state or strobe mode together with our control units.

Delivered with 1 meter cable for controller connection.

CE-approved/RoHS compliant.

Order information:

Controllers St.St/Strobe

Red 630 nm	PAH3 4058	0.3A/8A
Red 640 nm	PAD3 4058	0.3A/8A
IR 880 nm	PAR3 4058	0.3A/8A
Green 520 nm	PAG3 4058	0.3A/8A
Blue 465 nm	PAB3 4058	0.3A/8A
White	PTW3 4058	0.3A/8A