

# PAD industrial LED-Lighting

## LED Dark Field, OD 74mm Replace PXX3 4060

A dark field light for horizontal illumination

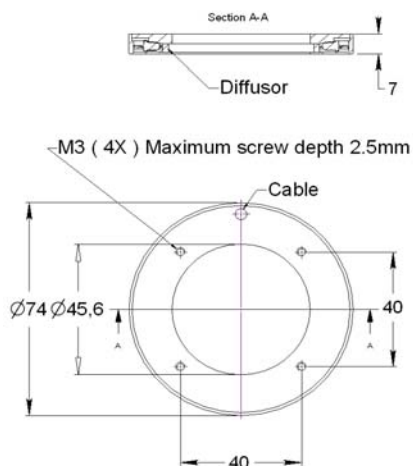
As standard this light has a diffuser for more evenness of the light.

Ultra thin design, only 7 mm thick.

Mounting : Four M3 screws



### Mechanical dimensions:



### Specifications:

Can be used for either steady state or strobe mode together with our control units.

Delivered with 1 meter cable for controller connection.

CE-approved/RoHS compliant.

### Order information:

Red 630 nm	PAH3 4160
Red 640 nm	PAD3 4160
IR 880 nm	PAR3 4160
Green 520 nm	PAG3 4160
Blue 465 nm	PAB3 4160
White	PTW3 4160

### Controllers St.St/Strobe

0.3A/8A
0.3A/8A
0.3A/8A
0.3A/8A
0.3A/8A
0.3A/8A