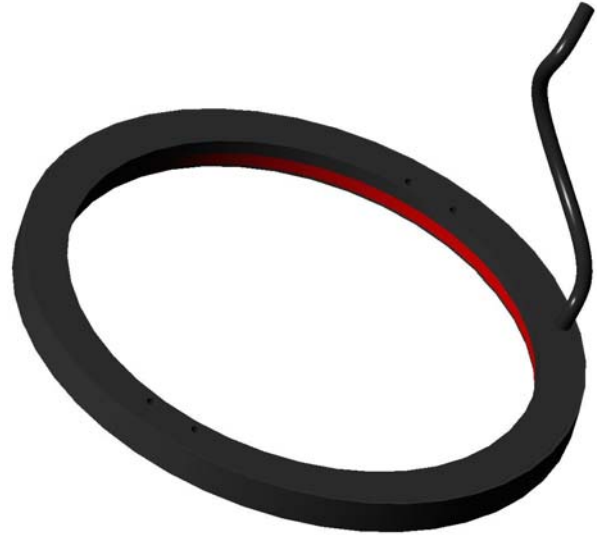


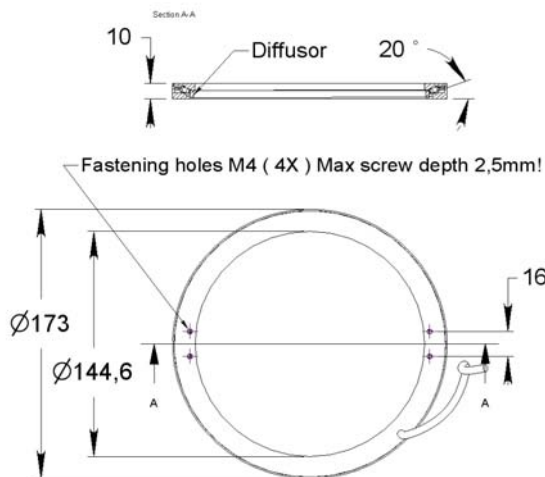
# PAD industrial LED-Lighting

## LED Dark Field, OD 173mm

A dark field light for horizontal illumination  
Ultra thin design, only 10 mm thick.  
Angle of LEDs 20 °.  
Including diffusor.



### Mechanical dimensions:



### Specifications:

Can be used for either steady state or strobe mode together with our control units.  
Delivered with 1 meter cable for controller connection.  
CE-approved/RoHS compliant.

### Order information:

		Controllers
		St.St/Strobe
Red 630 nm	PAH3 4162	0.3A/8A
Red 640 nm	PAD3 4162	0.3A/8A
IR 880 nm	PAR3 4162	0.3A/8A
Green 520 nm	PAG3 4162	0.3A/8A
Blue 465 nm	PAB3 4162	0.3A/8A
White	PTW3 4162	0.3A/8A

### Option:

Bracket LAD3 6114