

PAD industrial LED-Lighting

LED Coaxial, 25x25 mm.

A coaxial light is used for sharp detection, which requires a very even light over the whole area.

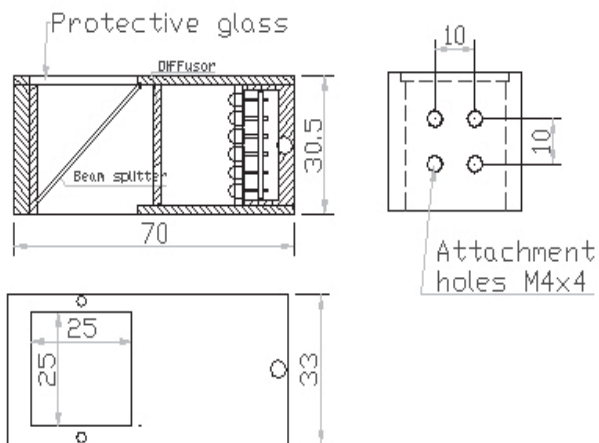
This coaxial light has exchangeable light head in order to change color heads.

Light head available in red, blue, green, IR and white.

Protective glass, anti-reflex, optically white.
Four M4 screws for mounting.



Mechanical dimensions:



Specifications:

Can be used to all types of control units.
Supplied with 1 meter connection cable.

CE-approved / RoHS compliant.

Order information:

		Controllers St.St/Strobe
Red 630 nm	PAH9 2525	0.3A/8A
Red 660 nm	PAD9 2525	0.3A/8A
IR, 880 nm	PAR9 2525	0.3A/8A
Green 518 nm	PAG9 2525	0.3A/8A
Blue 465 nm	PAB9 2525	0.3A/8A
White	PTW9 2525	0.3A/8A