

N-Type Male to SMA Male



RoHS Compliant

Part Number: 64750

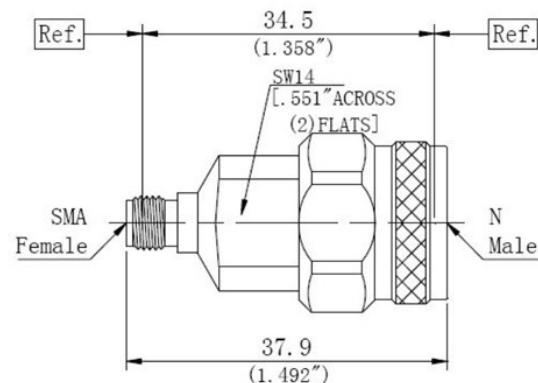
Electrical Specification

Parameter	Unit	Specification
Frequency Range	GHz	DC-18
Impedance	Ω	50
VSWR	-	$\leq 1.15:1$

Mechanical Specification

Parameter	Unit	Specification
Connector 1	-	N-Type Male
Connector 2	-	SMA Male
Housing	-	Stainless Steel SU303 (Polished/Passivated)
Centre Contact	-	Beryllium Copper, Gold Plated (MIL-G-45204)
Insulators	-	PEI
Temperature Range	$^{\circ}\text{C}$	-55 ~ +165
Durability	Cycles	500
Interface	-	N-Type/SMA Per MIL-STD-348A

Dimensions (Units: mm)



Distribution in the UK & Ireland