

**LASOS®** **DPSS laser series**

Diode-pumped solid-state laser  
500 mW output at 640nm



**RLK 40500 TS**

- Compact design
- Excellent beam quality
- Reliable and robust
- Outstanding long term stability
- Maintenance free
- Suitable for OEM applications
- Customization on request

Distribution in the UK & Ireland



**Characterisation,  
Measurement &  
Analysis**

**Lambda Photometrics Limited**  
Lambda House Batford Mill  
Harpenden Herts AL5 5BZ  
United Kingdom

**E: [info@lambdaphoto.co.uk](mailto:info@lambdaphoto.co.uk)**  
**W: [www.lambdaphoto.co.uk](http://www.lambdaphoto.co.uk)**  
**T: +44 (0)1582 764334**  
**F: +44 (0)1582 712084**



## Diode-pumped solid-state laser

### RLK 40500 TS Specifications:

#### LASOS® DPSS laser series

The LASOS® DPSS laser series provide excellent beam quality in a variety of wavelengths based on the latest progress in solid state laser technology.

The recently introduced RLK 40500 TS offers a reliable and compact laser source at 640 nm.

The LASOS® DPSS laser series provide the ideal products for applications in:

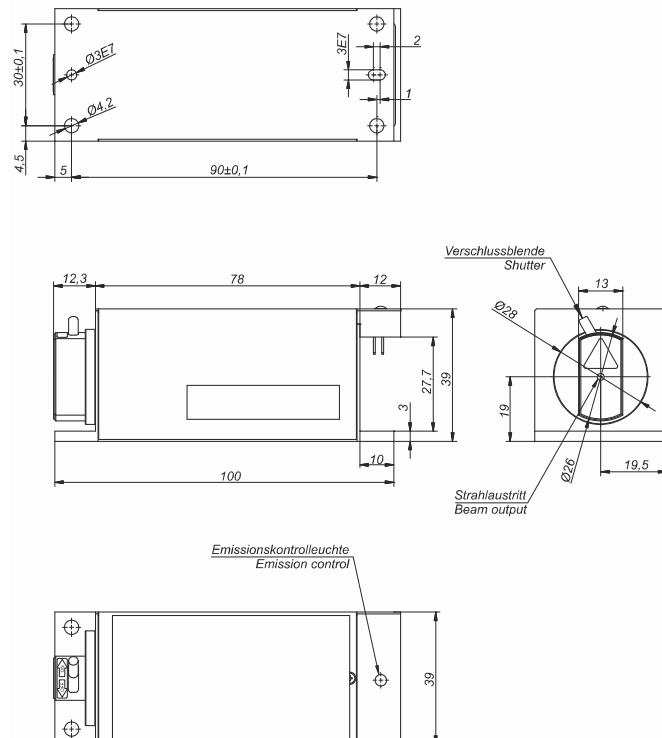
- Flow Cytometry
- Confocal and fluorescence microscopy
- Bioanalytical research
- Medical
- Science and education

Customized solutions for specific applications are possible

Wavelength	639.6 nm ± 0.5 nm
Wavelength stability (8 h)	±0.002 nm
Output power	500 mW
Output power stability within 8 h	±2.0 %
Noise 10 Hz ... 20 MHz	≤ 2.0 % rms
Warm up period	< 10 min
Transversal mode M <sup>2</sup>	≤ 1.2
Beam waist diameter (1/e <sup>2</sup> )	0.7 mm (0.32 mm on request)
Beam ellipticity	0.85 ... 1.15
Pointing stability	< 6 μrad K <sup>-1</sup>
Beam divergence	≤ 1.4 mrad
Polarisation ratio	≥ 200:1
Controller	CKL 2405; CKL 1005

Options on request

Dimensions:



**LASOS**  
For worldwide photonics