

Dome Lights

The dome lights are available in a wide range of sizes.

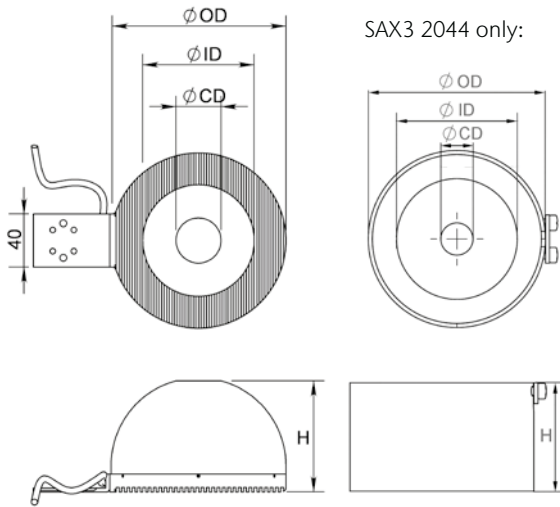
Dome lights provide highly shadow-free lighting in small working distances and avoid reflection from reflective objects more than ring lights.

In order to prevent a camera hole shadow it is possible to use a coaxial light together with the dome light.

Brackets are included (no. SXX3 010213, for details see "Lighting head brackets") except for SAX3 2044.



Mechanical Dimensions



Step files available on request

Color Information

Replace "X" in order number by one character ¹	Color	Wavelength (nm)
H	Red	617
W	White	
R	IR	880
B	Blue	465
G	Green	520
U	UV	395

¹ Example for red dome light: SAH3 2078

Order Information Single Color Lights

Order number	Sizes (mm)				Controller ²	
	outer ø	inner ø	camera hole ø	height	continuous/ switching mode	strobe mode
SAX3 2044	44	30	8	26	1 A	8 A
SAX3 2078	78	34	24	57	1 A	8 A
SAX3 2102	102	54	30	69	1 A	8 A
SAX3 2132	132	84	34	83	1 A 3 A ³	8 A 24 A ³
SAX3 2162	162	114	50	100	1 A 3 A ³	8 A 24 A ³
SAX3 2202 ⁴	202	155	65	124	3 A	24 A
SAX3 2348 ⁴	345	299	100	190	3 A	24 A

Order Information RGB Lights

Order number	Sizes (mm)				Controller ⁵	
	outer ø	inner ø	camera hole ø	height	continuous/ switching mode	strobe mode
RGB3 2078	78	34	24	57	1 A	8 A
RGB3 2102	102	54	30	69	1 A	8 A
RGB3 2132	132	84	34	83	1 A	8 A
RGB3 2162	162	114	50	100	1 A	8 A
RGB3 2202 ⁴	202	155	65	124	1 A	8 A
RGB3 2348 ⁴	345	299	100	190	on request	on request

² See "Controller selection" for details

³ For light colors white, blue, green and UV

⁴ Second bracket (SXX3 010213) included for more stability

⁵ For RGB lights 4 channel controllers are required

Distribution in the UK & Ireland



Lambda Photometrics Limited
Lambda House Batford Mill
Harpenden Herts AL5 5BZ
United Kingdom

E: info@lambdaphoto.co.uk
W: www.lambdaphoto.co.uk
T: +44 (0)1582 764334
F: +44 (0)1582 712084

Options

- Cable length and type see "Order options"