

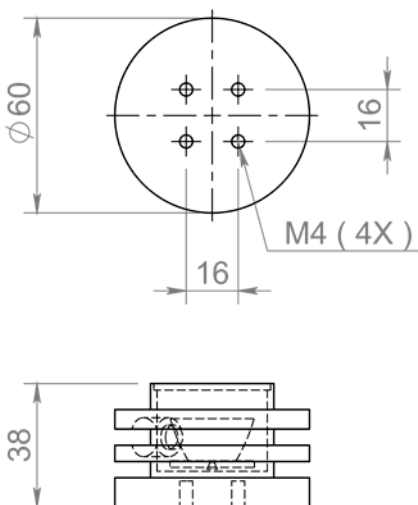
High-brightness Spot Lights

The spot light with secondary LED optics is based on an Oslon SSL80 LED. Different lenses enable fields of view with different diameters.

The lighting head can be equipped with lenses for light beam angles of 10, 18, 28 and 40 degrees for an ideal adjustment to different working distances and fields of view.



Mechanical Dimensions



Step files available on request

Color Information

Replace "X" in order number by one character ¹	Color	Wavelength (nm)
D	Red	617
W	White	
B	Blue	465
G	Green	520

¹ Example for red spot light: FAX3 1151(10)

Order Information

Order number	Secondary optics	Controller ²	
		continuous/ switching mode	strobe mode
FAX3 1151(10)	10°	1 A	8 A
FAX3 1151(18)	18°	1 A	8 A
FAX3 1151(28)	28°	1 A	8 A
FAX3 1151(40)	40°	1 A	8 A

² See "Controller selection" for details

Options

- Cable length and type see "Order options"
- Bracket options see "Lighting head brackets"
- Diffuser see "Order options"

Distribution in the UK & Ireland



Lambda Photometrics Limited
Lambda House Batford Mill
Harpenden Herts AL5 5BZ
United Kingdom

**Characterisation,
Measurement &
Analysis**

E: info@lambdaphoto.co.uk
W: www.lambdaphoto.co.uk
T: +44 (0)1582 764334
F: +44 (0)1582 712084