

OP-LCKIT

Launch Condition Kit

Overview

Launch Condition Kit

Meeting critical launch condition requirements is often difficult or overlooked. With the **OptoTest Launch Condition Kit**, it is easier than ever to meet specifications for many common launch conditions. The OP-LCKIT produces a controlled launch and can be specified for common connector types (FC, SC, LC, etc.) with UPC or APC polish, fiber size (50um, 62.5um, etc.), and to meet launch conditions such as Encircled Flux, M80, or 70/70 fill.

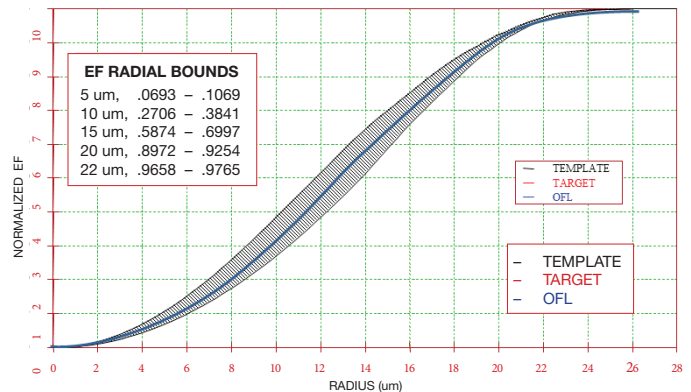
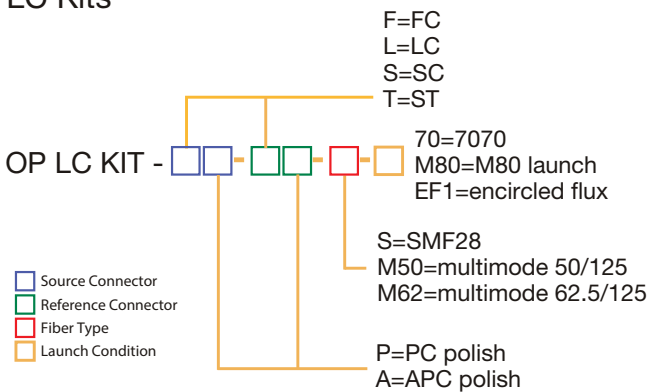


OP-LCKIT-FP-FP-50 includes a patchcord with an FC-UPC connector at both the reference end and the source end and includes a mandrel.



Features

LC Kits



Encircled Flux per 61280-4-1

For more information on Custom Launch Conditions contact OptoTest.

Distribution in the UK & Ireland



Lambda Photometrics Limited
 Lambda House Batford Mill
 Harpenden Herts AL5 5BZ
 United Kingdom

**Characterisation,
 Measurement &
 Analysis**

E: info@lambdaphoto.co.uk
W: www.lambdaphoto.co.uk
T: +44 (0)1582 764334
F: +44 (0)1582 712084

SPECIFICATIONS

OP-LCKIT	PC	APC
Insertion Loss*	<0.15	
Return Loss (850/1300nm)	>45dB	>50dB
Radius of curvature	14mm to 25mm	8mm to 12mm
Apex offset	<30µm	
Fiber height	± 50nm	
Fiber core position (eccentricity)	<0.6µm	

* Insertion is based on connector only without mandrel wrap.

Specifications are subject to change, please confirm specific performance characteristics of the product at the time of ordering. All specifications are valid within temperature range of 18° C to 24°C unless otherwise noted. For additional specifications please contact OptoTest.

Distribution in the UK & Ireland



Lambda Photometrics Limited
Lambda House Batford Mill
Harpenden Herts AL5 5BZ
United Kingdom
E: info@lambdaphoto.co.uk
W: www.lambdaphoto.co.uk
T: +44 (0)1582 764334
F: +44 (0)1582 712084