

4-Point Ringlights



4-point ringlight 30 mm



4-point ringlight 66 mm

Features

- Four illumination spots are designed within the housing.
- Mounts directly to objective means of thumb screw.
- Housing made of rugged, black anodized aluminium.
- Fiber bundle protected with flexible metal PVC sheathing.

Benefit

- Illumination with reduced shadows, but still sufficient shadows for improved contrast.

Cold light source**	Part No.	Type	Length	Inner Ø	Outer Ø	Height	Minimum working distance*	Active Ø branch	Outer Ø Jacketing	Light source adapter Ø
			(L)	(ID)	(OD)	(H)	(A)	(b)	(D)	
KL 1500 HAL KL 1600 LED KL 2500 LED KL 2500 LCD	157 401	30 mm Ø	1000 mm 39.37"	30 mm 1.18"	58 mm 2.28"	23 mm 0.91"	12 mm 0.47"	8 mm 0.32"	14 mm 0.55"	10 mm 0.39"
	157 402	66 mm Ø	1000 mm 39.37"	66 mm 2.60"	94 mm 3.70"	23 mm 0.91"	25 mm 0.98"	8 mm 0.32"	14 mm 0.55"	10 mm 0.39"

* Ringlights usable in any working distance above given minimum values.

** and discontinued KL 1500 products (KL 1500 compact, KL 1500 LCD, KL 1500 LED, KL 1500 LED Plus)

Distribution in the UK & Ireland

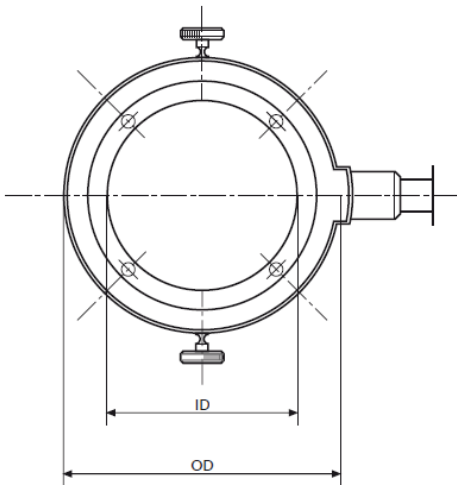
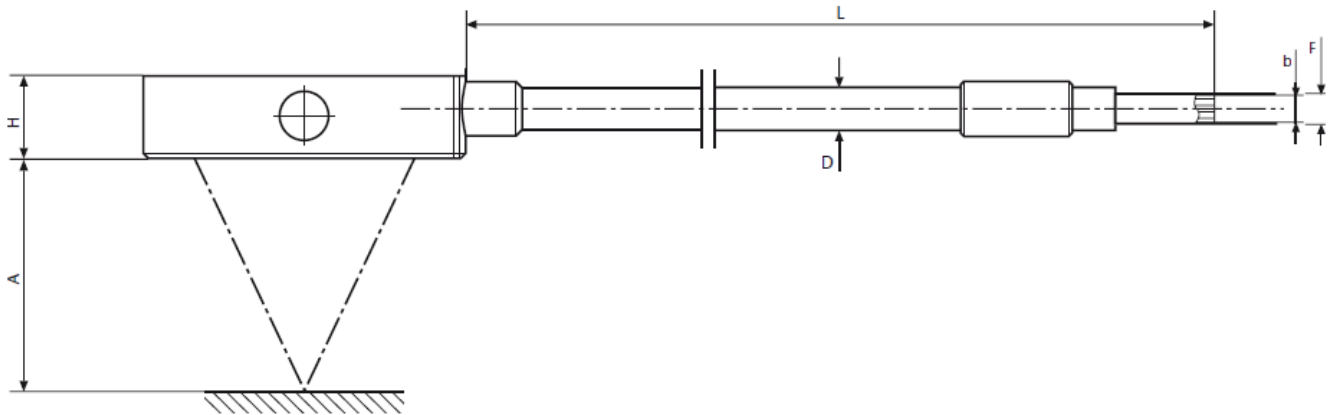


Lambda Photometrics Limited
 Lambda House Batford Mill
 Harpenden Herts AL5 5BZ
 United Kingdom
E: info@lambdaphoto.co.uk
W: www.lambdaphoto.co.uk
T: +44 (0)1582 764334
F: +44 (0)1582 712084

**Characterisation,
 Measurement &
 Analysis**



4-point Ringlight



Distribution in the UK & Ireland



Lambda Photometrics Limited

Lambda House Batford Mill
Harpenden Herts AL5 5BZ
United Kingdom

**Characterisation,
Measurement &
Analysis**

E: info@lambdaphoto.co.uk

W: www.lambdaphoto.co.uk

T: +44 (0)1582 764334

F: +44 (0)1582 712084

All specifications are subject to change without prior notice. This datasheet or any extracts thereof may only be used in other publications with express permission of SCHOTT. © SCHOTT AG

SCHOTT
glass made of ideas