

Holder for Lightguides



Holder: left P/N 157 430
middle P/N 158 335
right P/N 158 330



Articulating arm, P/N 158 345



Holder for focusing lens
P/N 158 341

To position flexible light guides and ringlights precisely SCHOTT offers an articulating arm and base as well as holders for different size lightguides and focusing lenses.

Holder for flexible light guides	Part. No.	Mounting
Ø up to 5.0 mm	158 330	1 M6 hole
Ø 8.0 mm and 9.0 mm	158 335	1 M6 hole
Ø 12.0 and 15.0 mm	157 430	1 M6 hole

Holder for annular ringlights	Part. No.	Mounting
Ø 58 and 66 mm	157 430	1 M6 hole

Articulating arm and base	Part. No.	Mounting	Dimension
Articulating arm	158 345	2 M6 threads	200 mm length
Base for articulating arm	158 340	3 M6 holes	Ø 100 mm

Holder for focusing lenses	Part. No.	Mounting	Dimension
Ø up to 5.0 mm	158 341	1 M6 hole	for focusing lens 158 210 and set 158 200
Ø 8.0 mm	157 430		
12 and 15 mm	-		1 x M6 and 1 x M8 hole in body of focusing lens. A separate holder is not necessary.

Distribution in the UK & Ireland

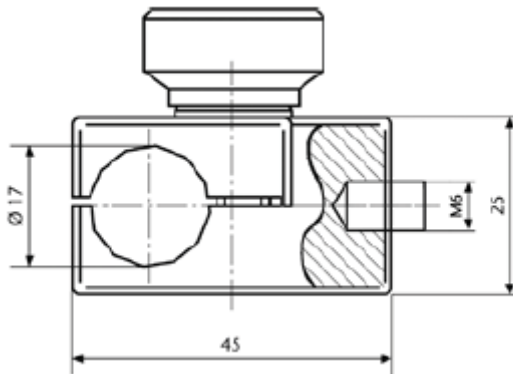


**Characterisation,
Measurement &
Analysis**

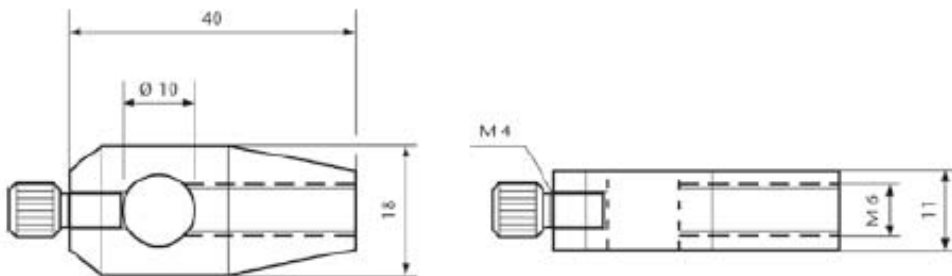
Lambda Photometrics Limited
Lambda House Batford Mill
Harpenden Herts AL5 5BZ
United Kingdom
E: info@lambdaphoto.co.uk
W: www.lambdaphoto.co.uk
T: +44 (0)1582 764334
F: +44 (0)1582 712084



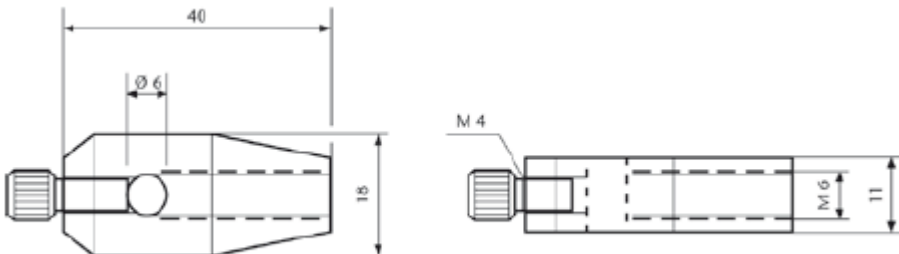
Holder for Lightguides



Holder, P/N 157 430



Holder, P/N 158 335



Holder, P/N 158 330

Distribution in the UK & Ireland



Lambda

Lambda Photometrics Limited

Lambda House Batford Mill

Harpenden Herts AL5 5BZ

United Kingdom

**Characterisation,
Measurement &
Analysis**

E: info@lambdaphoto.co.uk

W: www.lambdaphoto.co.uk

T: +44 (0)1582 764334

F: +44 (0)1582 712084

All specifications are subject to change without prior notice. This datasheet or any extracts thereof may only be used in other publications with express permission of SCHOTT. © SCHOTT AG

SCHOTT
glass made of ideas