

KL Ring Lights

for KL Light Sources



SCHOTT Fiber Optic Ring Lights are available as six-point, annular or darkfield versions with specific advantages. For all ring lights we offer adapters for a variety of objective series

Features:

- Mounts directly to the objective using a thumb screw.
- Housing made of rugged, black, anodized aluminium.
- Fiber bundle protected by flexible metal PVC sheathing.
- High white light transmission thanks to the use of SCHOTT PURAVIS® fibers.

Advantages:

- Annular ring lights offer absolute shadow-free illumination.
- Six-point ring lights offer a cost-effective alternative to annular ring lights.
- Darkfield ring lights offer low-angle illumination for shiny, reflective surfaces.

Types and compatibility

Type	Compatible cold light source	Part No.	Length	Inner Ø	Outer Ø	Height	Working distance	Active Ø branch	Outer Ø Jacketing	Light source adaptor Ø
			(L)	(ID)	(OD)	(H)	(A)	(b)	(D)	
6-point 66 mm Ø	KL 300 LED	172.601	1000 mm 39.37"	66 mm 2.60"	94 mm 3.70"	23 mm 0.91"	35 - 300 mm 1.38" - 11.81"	6 mm 0.24"	10.8 mm 0.43"	9 mm 0.35"
Annular 40 mm Ø	KL 300 LED KL 1600 LED KL 2500 LED KL 1500 HAL	157.040	1000 mm 39.37"	40 mm 1.58"	64 mm 2.52"	24 mm 0.95"	25 - 300 mm 0.98" - 11.81"	7 mm 0.28"	11.8 mm 0.47"	9 mm 0.35" / 10 mm 0.39"
Annular 58 mm Ø	KL 1500 HAL KL 1600 LED KL 2500 LED	157.410	1000 mm 39.37"	58 mm 2.28"	88 mm 3.47"	26 mm 1.02"	30 - 300 mm 1.18" - 11.81"	9 mm 0.35"	15 mm 0.59"	10 mm 0.39"
Annular 66 mm Ø		157.420	1000 mm 39.37"	66 mm 2.60"	96 mm 3.78"	26 mm 1.02"	30 - 300 mm 1.18" - 11.81"	9 mm 0.35"	15 mm 0.59"	10 mm 0.39"
Annular 66 mm Ø slim		157.066	1000 mm 39.37"	66 mm 2.60"	92 mm 3.62"	26 mm 1.02"	30 - 300 mm 1.18" - 11.81"	9 mm 0.35"	15 mm 0.59"	10 mm 0.39"
Annular 81 mm Ø		157.081	1000 mm 39.37"	81 mm 3.19"	106 mm 4.17"	26 mm 1.02"	40 - 110 mm 1.57" - 4.33"	9 mm 0.35"	15 mm 0.59"	10 mm 0.39"
Annular 86 mm Ø		157.086	1000 mm 39.37"	86 mm 3.39"	114 mm 4.49"	24 mm 0.95"	18 - 70 mm 0.71" - 2.76"	9 mm 0.35"	15 mm 0.59"	10 mm 0.39"
Darkfield		157.406	1000 mm 39.37"	66/70 mm 2.60"	120 mm 4.72"	36 mm 1.42"		8.5 mm 0.34"	14 mm 0.55"	10 mm 0.39"

For compatibility with discontinued SCHOTT light sources and third party products, please contact us.

We provide a variety of optical and mechanical accessories for our KL light guides. For details please refer to our system diagrams or according datasheets.

Distribution in the UK & Ireland



Lambda Photometrics Limited

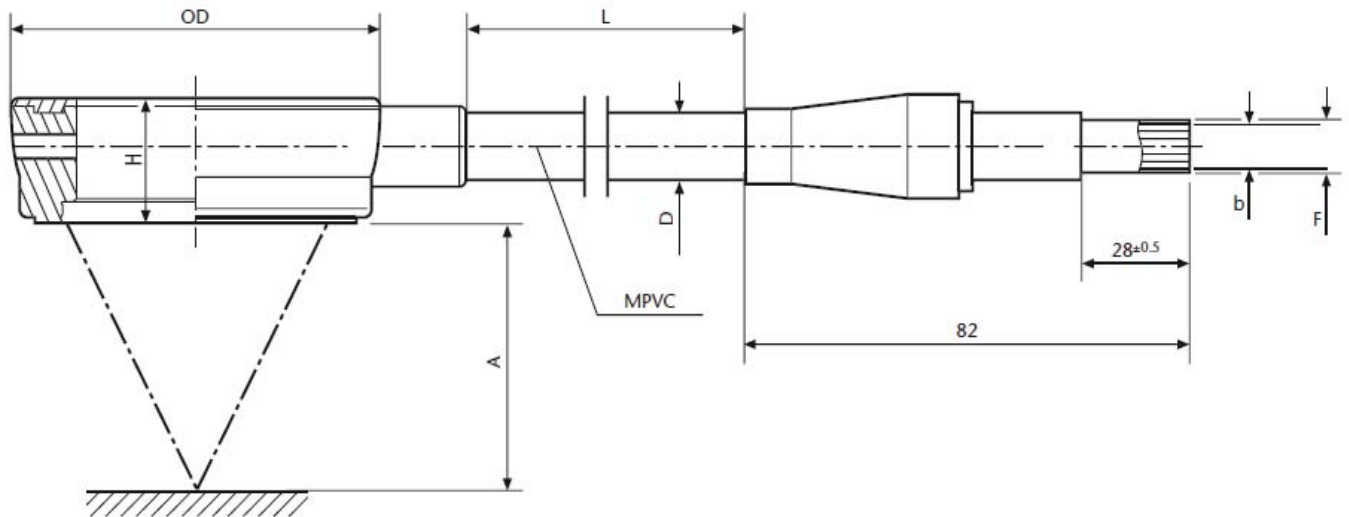
Lambda House Batford Mill
Harpenden Herts AL5 5BZ
United Kingdom

**Characterisation,
Measurement &
Analysis**

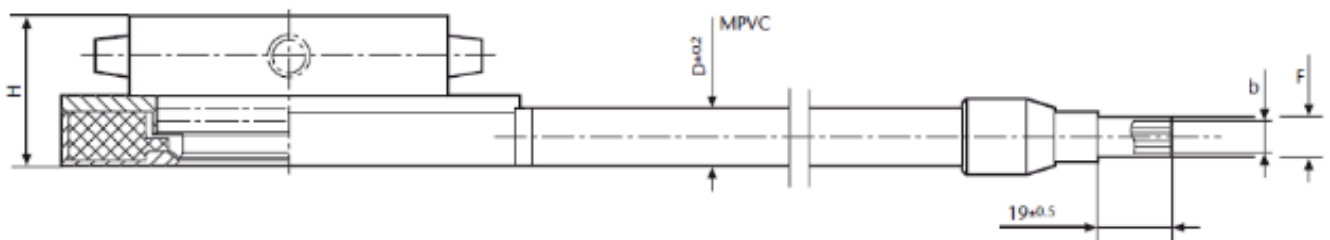
E: info@lambdaphoto.co.uk
W: www.lambdaphoto.co.uk
T: +44 (0)1582 764334
F: +44 (0)1582 712084



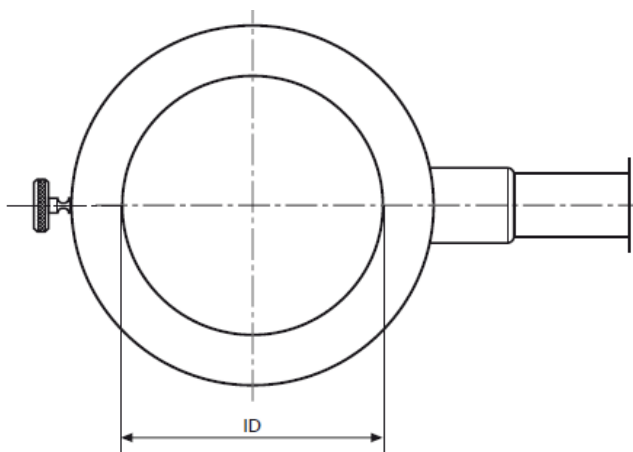
Dimensions



Annular and 6-Point Ring Light



Darkfield Ring Light



Pictures are provided for illustration purposes only, and may not provide an accurate reflection of the actual product.

All specifications are subject to change without prior notice. This datasheet or any extracts thereof may only be used in other publications with express permission of SCHOTT. © SCHOTT AG

Lighting and Imaging
SCHOTT AG
 Hattenbergstrasse 10
 55122 Mainz
 Germany
 Phone: +49 (0) 6131/66-7796
 Fax: +49 (0) 6131/66-7850
 info.microscopy@schott.com
 www.schott.com/microscopy

