

KL 2500 LED Light Source

for stereo microscopy



The KL 2500 LED is the performance leader in advanced cold light sources with an LED light engine. With the highest light output and a wide range of special features, it's ideal for customers with specialist requirements.


Features:

- Patented white light engine
- USB-Connectivity
- Electronic shutter function
- LCD display indicating brightness, operation mode or error code
- Intensity control with three sensitivities
- Two-position filter slider

Advantages:

- Maximum lighting intensity of 1100 lm
- Connection for foot switch
- PC-controllable via USB
- Continuous dimming from 0-100%
- Extra-fine dimming option, down to 0.1% steps
- Maintenance-free LED engine with 50.000 operating hours

Technical Specifications:

| General | | |
|------------------------------|---------------|---|
| Part No. | | 250.400 |
| Dimensions (W x D x H) | (mm) / (inch) | 114 x 231 x 137/4.5" x 9.1" x 5.4" |
| Weight | (kg) | Approx. 3.6 |
| Cooling | | Low-noise fan |
| Electrical | | |
| Operating voltage, frequency | | 100 – 240 V ~, 50 – 60 Hz |
| Input voltage | (V) | 24 |
| Power consumption | (VA) | Max. 80 |
| Protection class | | II |
| Overvoltage category | | II |
| Lamp type | | 9 High power LED white |
| Lamp lifetime | (h) | 50.000 ¹ |
| Light Output | | |
| Luminous flux | (lm) | 1.100 ² |
| Color temperature | (K) | Approx. 5.600 |
| Active light guide diameter | (mm) / (inch) | Max. 9/Max. 0.35" |
| Certification marks | | |
| Marking | |  |
| EMC-class | | B |

¹ max. decline of light output to 70% of origin level

² at the output of SCHOTT fiber optic light guide, 1-arm, flexible, Ø 9 mm active, length 1,000 mm

We provide a variety of accessories for our KL Series. For details please refer to our system diagrams or according datasheets.

Accessories:

| Footswitch | Part No. |
|--|----------|
| Momentary | 400.020 |
| Light guide adapter | |
| For Megalight by SCHOTT Nippon K.K. | 158.321 |
| For ColdVision by SCHOTT North America | 158.322 |
| For Volpi and Photonic | 158.323 |
| Insert filter Ø 28 mm | |
| Blue | 258.302 |
| Red | 258.303 |
| Green | 258.304 |
| Yellow | 258.305 |
| Halogen | 258.307 |
| Power cord 1.8 m | |
| EU Plug: IEC-C13 to CEE 7/7 | 400.051 |
| US Plug: IEC-C13 to NEMA 5-15 | 400.052 |
| UK Plug: IEC-C13 to BS 1363 | 400.053 |
| Swiss Plug: IEC-C13 to SEV1011 | 400.054 |

Note: country specific power cord must be ordered separately!

Distribution in the UK & Ireland



Lambda Photometrics Limited

Lambda House Batford Mill
Harpenden Herts AL5 5BZ
United Kingdom

E: info@lambdaphoto.co.uk

W: www.lambdaphoto.co.uk

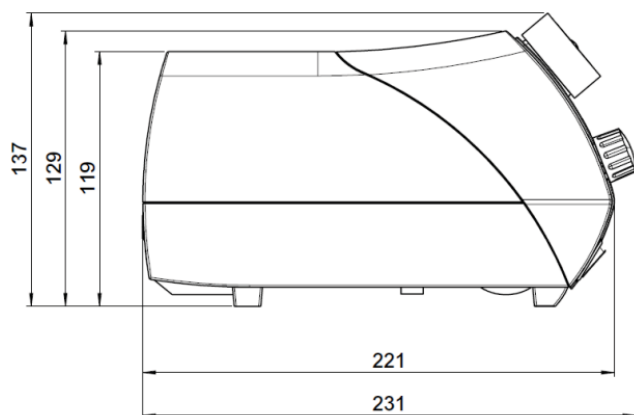
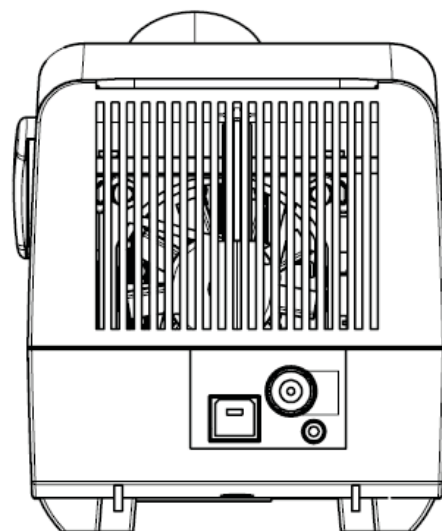
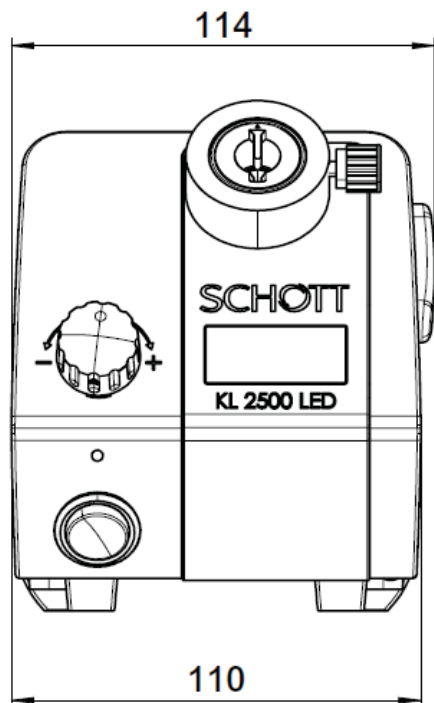
T: +44 (0)1582 764334

F: +44 (0)1582 712084

**Characterisation,
Measurement &
Analysis**



Dimensions



Pictures are provided for illustration purposes only, and may not provide an accurate reflection of the actual product.

Distribution in the UK & Ireland



Lambda Photometrics Limited
 Lambda House Batford Mill
 Harpenden Herts AL5 5BZ
 United Kingdom

**Characterisation,
 Measurement &
 Analysis**

E: info@lambdaphoto.co.uk
W: www.lambdaphoto.co.uk
T: +44 (0)1582 764334
F: +44 (0)1582 712084

All specifications are subject to change without prior notice. This datasheet or any extracts thereof may only be used in other publications with express permission of SCHOTT. © SCHOTT AG

