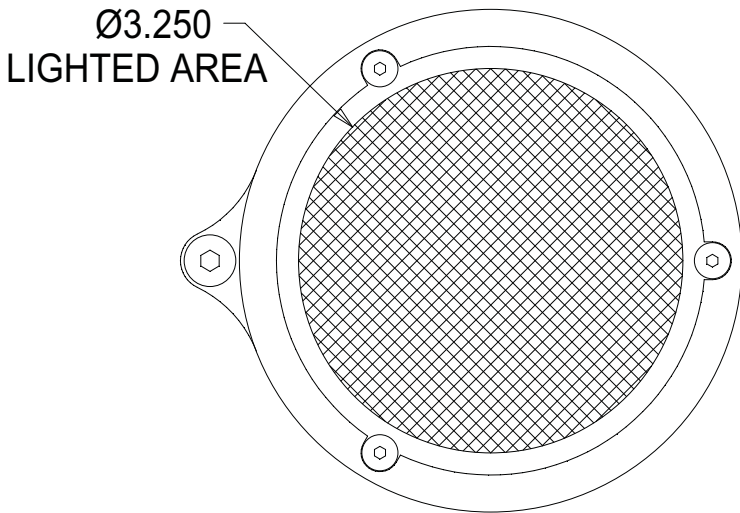
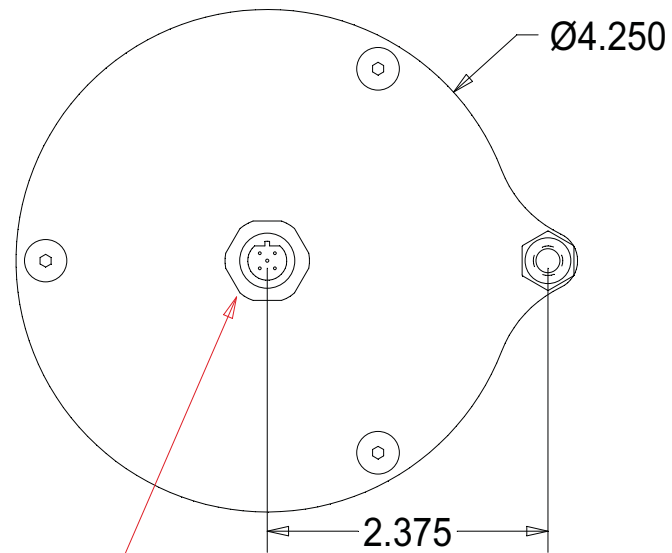


TOP VIEW



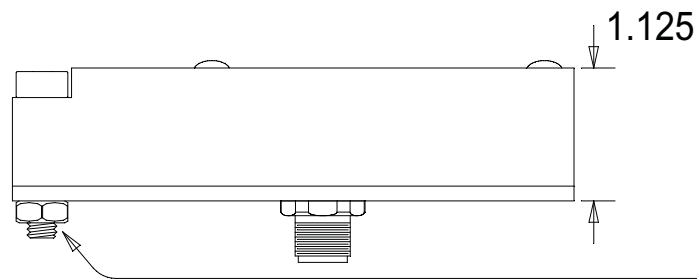
BOTTOM VIEW



Distribution in the UK & Ireland



Lambda Photometrics Limited
Lambda House Batford Mill
Harpenden Herts AL5 5BZ
United Kingdom
E: info@lambdaphoto.co.uk
W: www.lambdaphoto.co.uk
T: +44 (0)1582 764334
F: +44 (0)1582 712084



SIDE VIEW

1/4-20 STUD
FOR MOUNTING
NUT INCLUDED

5-PIN REVERSE KEYED
EUROFAST CONNECTOR

WARNING!!!
DO NOT CONNECT LIGHT
TO 24VDC. USE ONLY
SPECTRUM ILLUMINATION
LED DRIVER MODULE (LDM).
FAILURE TO DO SO WILL
RESULT IN PREMATURE
LED BURNOUT AND WILL
VOID THE WARRANTY.

SP3.25 SPOT MOUNT SPECIFICATIONS