

IXDICE 1342

Diode laser pumped
Q-switched solid-state laser
Wavelength 1342 nm



General description

The IXDICE 1342 is a high repetition rate solid-state diode pumped Q-switched lasers with the unique fundamental wavelength of 1342 nm. It is the successor of the IDOL-C-1342 laser in a more compact laser housing.

The laser is optimized for high pulse repetition rates in the range 40 to 200 kHz to allow high throughput in material processing applications. Due to its high pulse-to-pulse stability and the sealed housing the IXCDICE 1342 is well suited for continuous 24/7 industrial use.

With a wavelength of 1342 nm, the IXDICE 1342 is a perfect choice as a laser tool for silicon processing like stealth dicing or trimming of integrated circuits.

The revised design also provides compliance to US CDRH regulations.

Applications

- Stealth dicing**
- Wavelength sensitive processes**
- Silicon processing**
- Micro-machining**

Features

- High repetition rate**
- Graphical user interface**
- LabVIEW libraries**
- CDRH compliance**

Product specifications

Model	IXDICE 1342
Wavelength	1342 nm
Average power	8 W
Pulse duration	approx. 50 ns
Energy per pulse	80 µJ
Repetitipon rate	40-200 kHz
M²	1.2

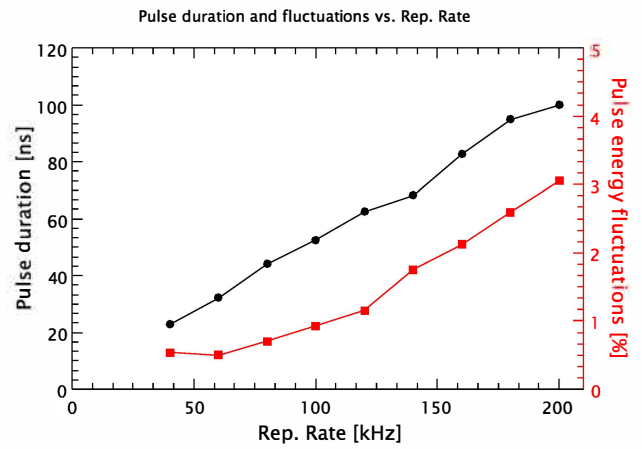
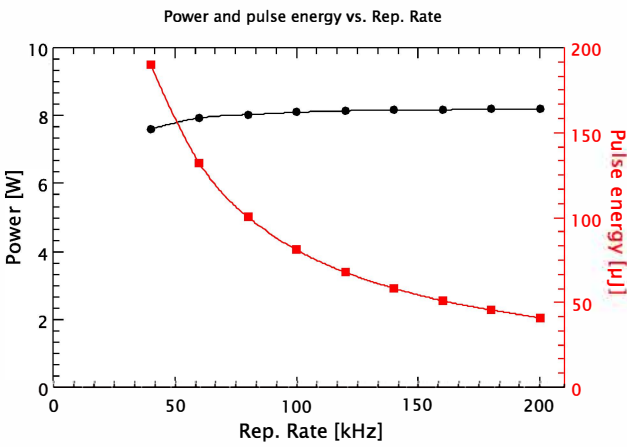
Data at 100 kHz pulse repetition rate.
 Specifications are subject to change without notice due to product improvement.

Distribution in the UK & Ireland

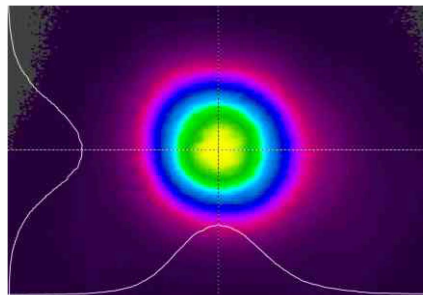


Lambda Photometrics Limited
 Lambda House Batford Mill
 Harpenden Herts AL5 5BZ
 United Kingdom
 E: info@lambdaphoto.co.uk
 W: www.lambdaphoto.co.uk
 T: +44 (0)1582 764334
 F: +44 (0)1582 712084

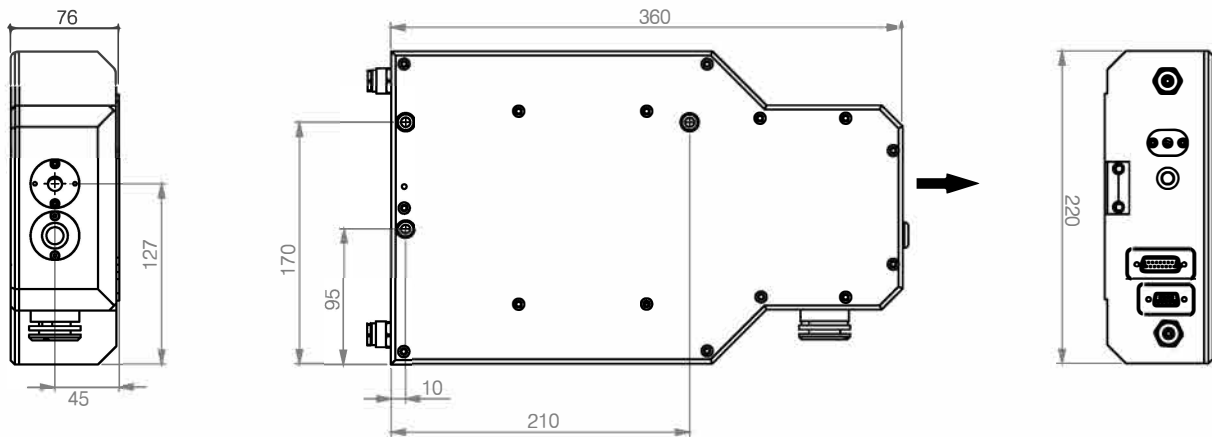
Typical performance



Typical beam profile



Dimensions laser head



System dimensions (L x W x H), weight

Laser head	360 x 220 x 76 mm ³	10.5 kg
Power supply	447 x 440 x 134 mm ³	18.0 kg
Chiller	447 x 381 x 134 mm ³	12.0 kg

Electrical characteristics

Operating voltage	85-264 VAC
Frequency	47-63 Hz
Power consumption	120 W typ

Complies with 21 CFR 1040.10 and 1040.11 except for deviations pursuant to Laser Notice No. 50, dated June 24, 2007
Class 4 laser (IEC 60825-1)



Distribution in the UK & Ireland



Lambda

www.lambdaphoto.co.uk