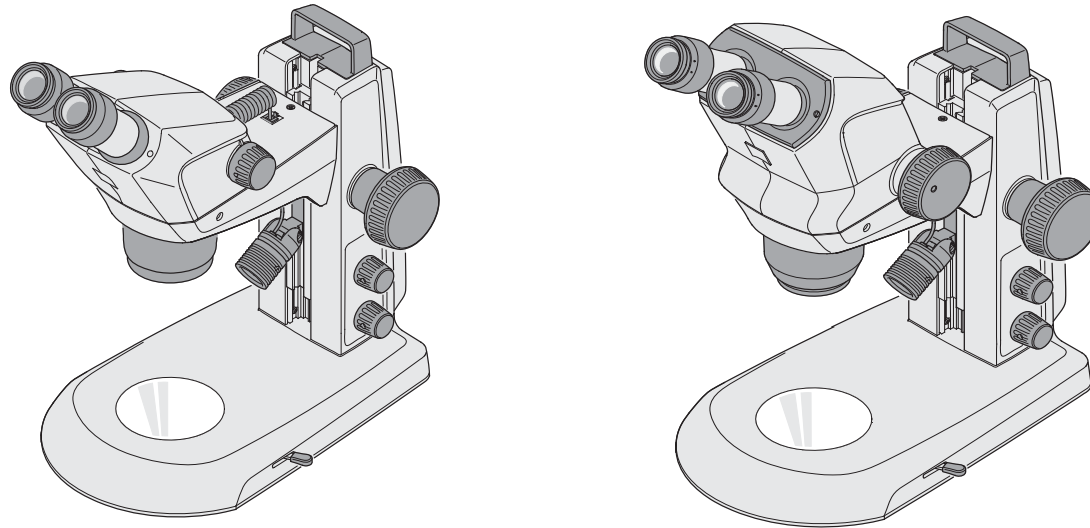


Stereo Microscopes

Stemi 305, Stemi 508



Distribution in the UK & Ireland



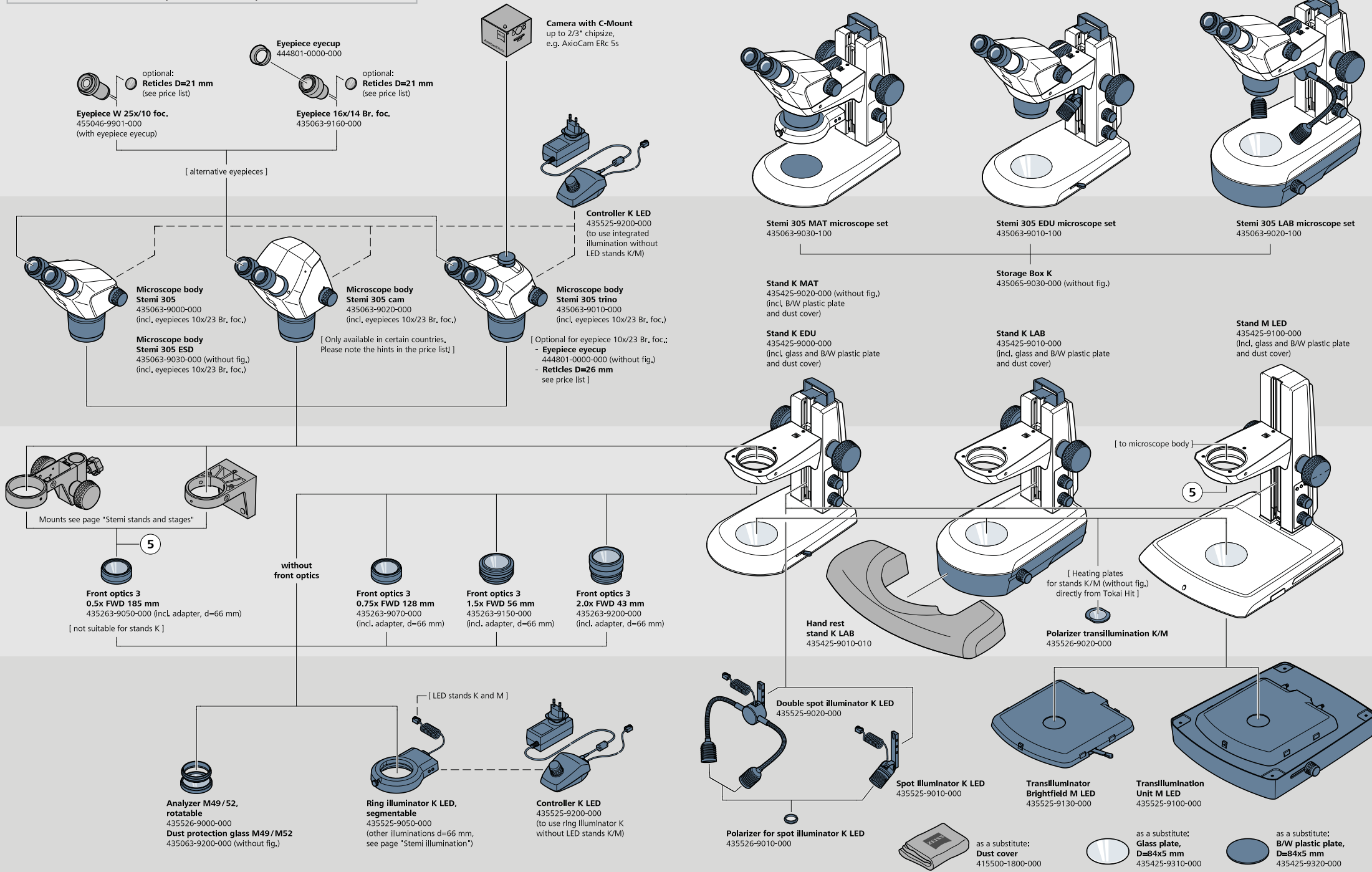
Lambda Photometrics Limited
Lambda House Batford Mill
Harpenden Herts AL5 5BZ
United Kingdom
E: info@lambdaphoto.co.uk
W: www.lambdaphoto.co.uk
T: +44 (0)1582 764334
F: +44 (0)1582 712084

System Diagram

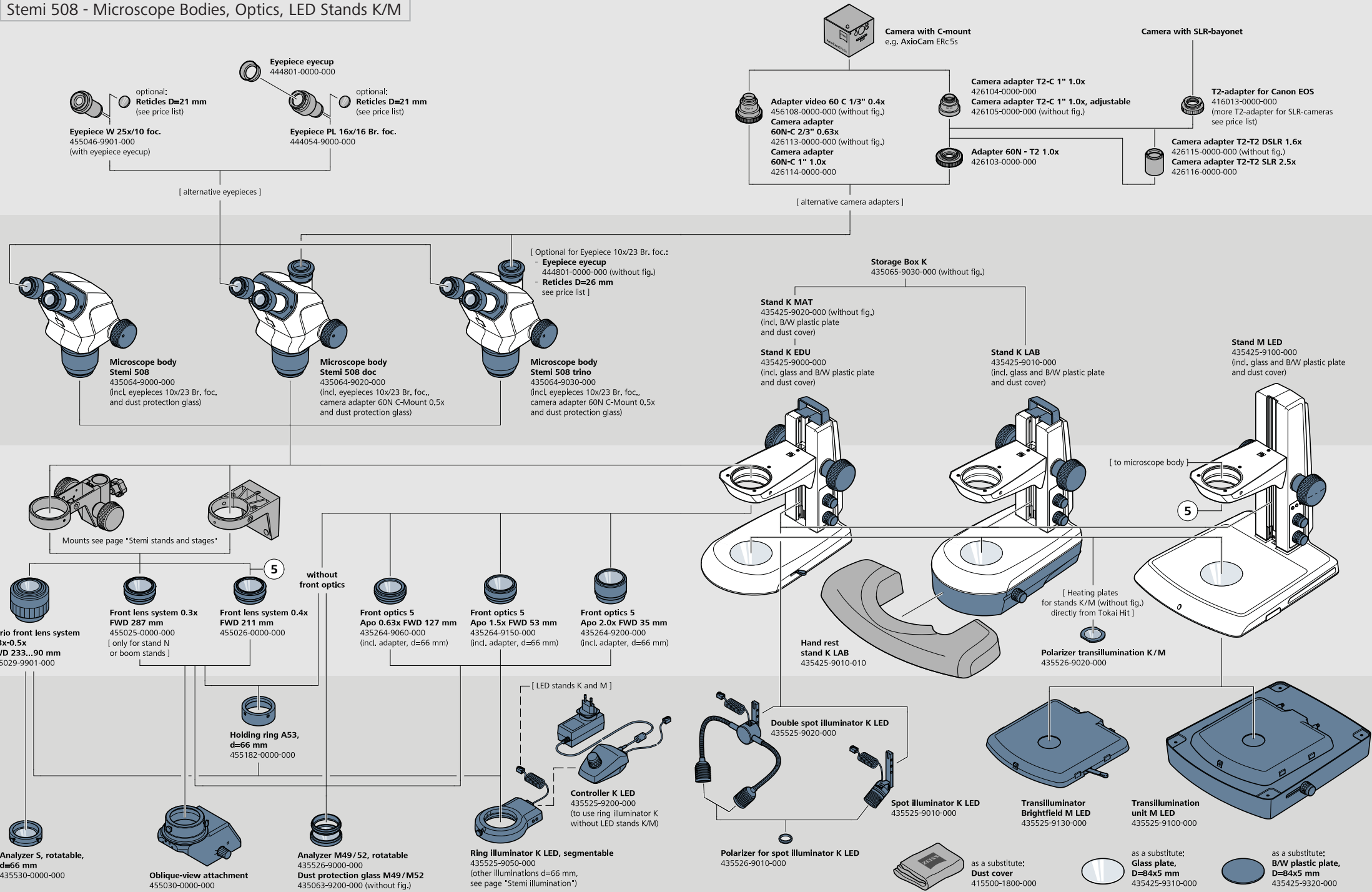


August 2016

Stemi 305 - Microscope Bodies, Optics, LED Stands K/M

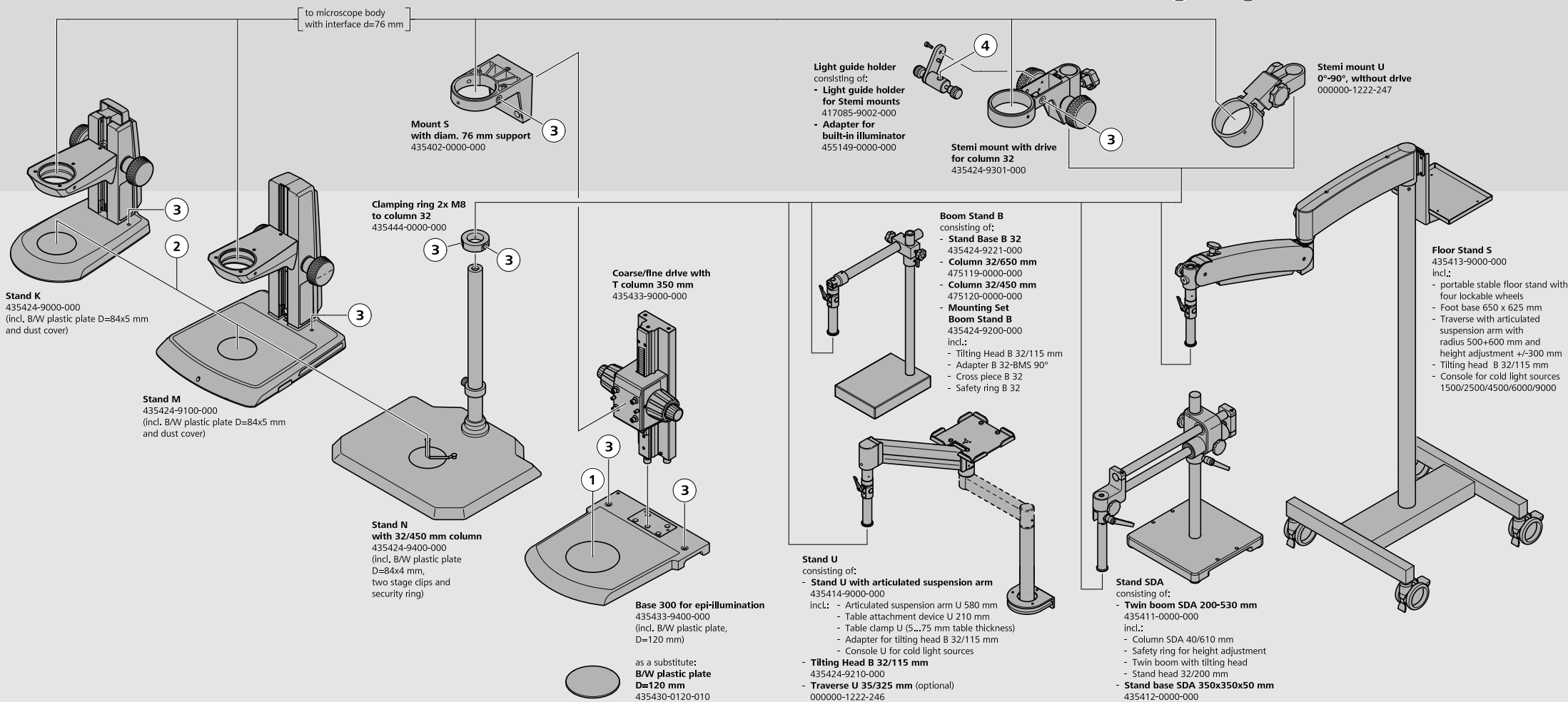
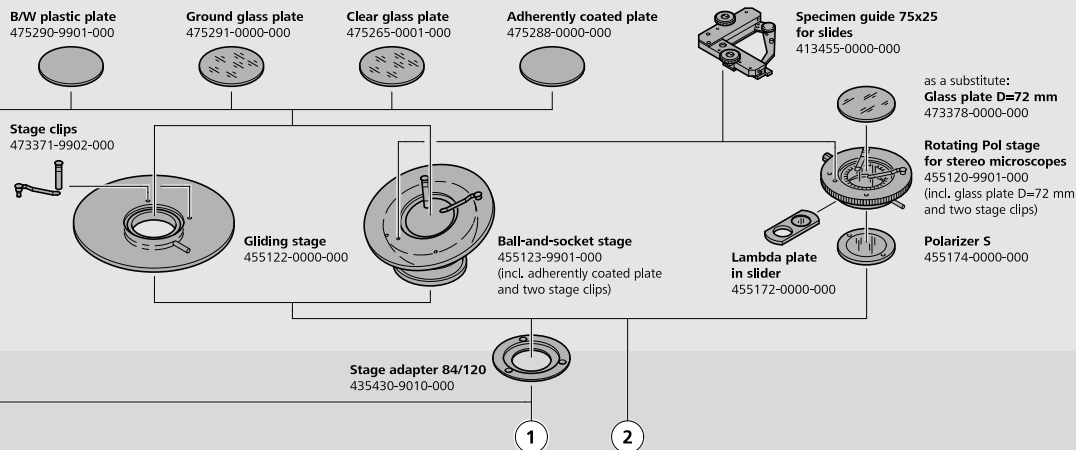
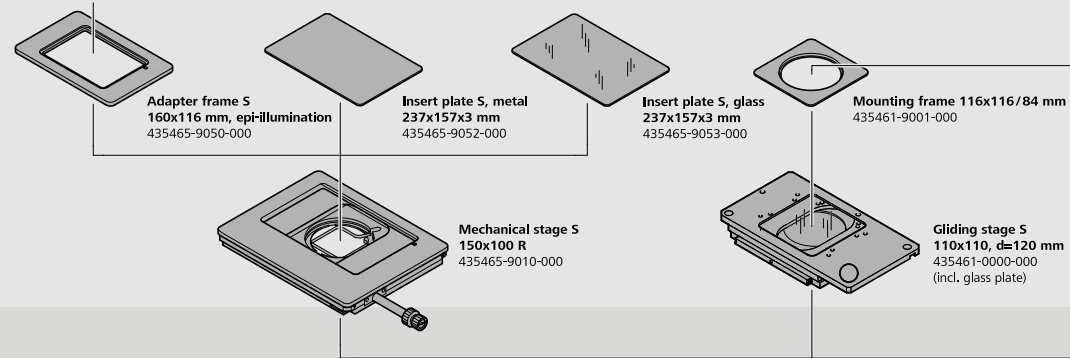


Stemi 508 - Microscope Bodies, Optics, LED Stands K/M



[Mounting frame or plate 160x116 mm of the mechanical stages of Axio Imager]

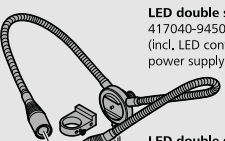
Stemi 305/508 - Stands and Stages



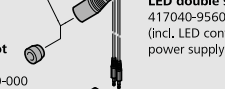
Stemi 305/508 - Illuminators




Ring illuminator with neon tube 5500 K, d=58/66 mm
417040-9100-000
(diffuse ring illumination, incl. control unit and power supply)



LED double spot for column 32
417040-9450-000
(incl. LED control unit, power supply and adapter)



LED double spot for mount S 76 mm
417040-9560-000 (without fig.)
(incl. LED control unit, power supply and adapter)



EasyLED spot polarizer
417096-9600-000



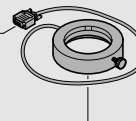
Controller MC 1000 for VisiLED
417095-9040-000
(1 VisiLED illuminator connectable)




Multiple controller MC 1500 for VisiLED
417095-9000-000
(2 VisiLED illuminator connectable)




Power supply 100...240 V, 50...60 Hz for VisiLED
417095-9050-000



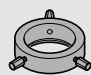
VisiLED ring light S, 80-25 BF, d=66 mm
417095-9225-000 (without fig.)
VisiLED ring light S, 80-55 BF, d=66 mm
417095-9255-000
(Segment ring illumination)



Set for simultaneous fixing VisiLED BF+DF
417095-9500-000



Polarization filter set VisiLED/EasyLED
417095-9550-000
(only with 417095-9255-000)



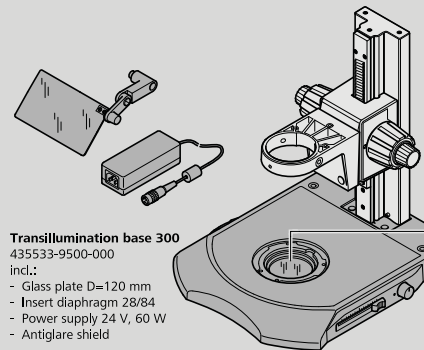
Holder, d=66 mm to VisiLED DF
417095-9510-000



VisiLED ring light S 40-10 DF, d=66 mm
417095-9300-000
(Segment ring illumination for incident-light darkfield)

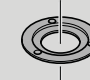


Foot button S
435602-9010-000
(without fig.)




Transillumination base 300
435533-9500-000
incl.:
- Glass plate D=120 mm
- Insert diaphragm 28/84
- Power supply 24 V, 60 W
- Antiglare shield


[Stages; see page "Stemi stands and stages"]
[Heating plate to base 300 (without fig.): directly from Tokai Hit]



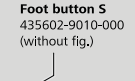
Stage adapter 84+120 for transillumination base 300
435533-9510-000




as a substitute:
Glass plate, D=120 mm
435501-0002-000



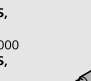
Polarizer S, D=84 mm
435531-0000-000



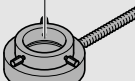
Foot button S
435602-9010-000
(without fig.)



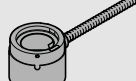
Spacing ring S, d=66x57 mm
435448-0000-000



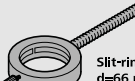
Spacing ring S, d=66x40 mm
435449-0000-000
(without fig.)



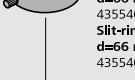
Slit-ring illuminator 1500 for incident-light darkfield, d=66 mm
417075-9011-000




Diffuser S, telescopic, d=66 mm/M8
435507-0000-000
(diffuse dome illumination)




Slit-ring illuminator 1500 ECO, d=66 mm, 9/1000 mm
435540-9005-000




Slit-ring illuminator 1500 ECO, d=66 mm, 9/2000 mm
435540-9006-000 (without fig.)




Vertical illuminator S, d=66 mm, adjustable
435505-9000-000




Polarization filter set S, d=66 mm
417075-9009-000
(for reduced reflection)




Illuminator carrier S, M8-M8
435441-0000-000



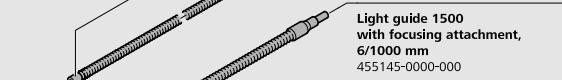
Articulated arm S, M8-M8
435443-0000-000



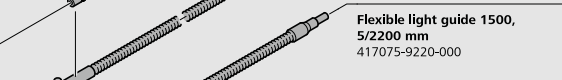
Clamp S to flexible light guide
435442-0000-000



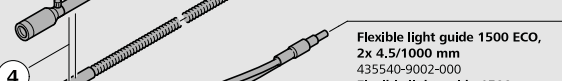
Flexible light guide 1500, 8/1000 mm
417063-9901-000




Light guide 1500 with focusing attachment, 6/1000 mm
455145-0000-000




Flexible light guide 1500, 5/2200 mm
417075-9220-000




Flexible light guide 1500 ECO, 2x 4.5/1000 mm
435540-9002-000




Flexible light guide 1500, 5/1000 mm
417075-9100-000 (without fig.)
(one-armed, with metal PVC hose)



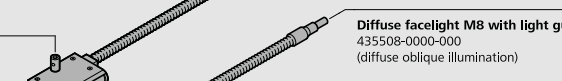
Goose-neck light guide 1500-90°, 2x 4.5/620 mm
417075-9040-000



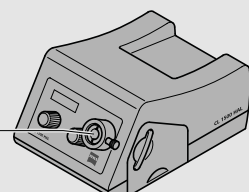
Goose-neck light guide 1500, 4.5/600 mm
417052-9901-000 (without fig.)




Line light S, l=50 mm
000000-1063-307
(laterally grazing illumination)



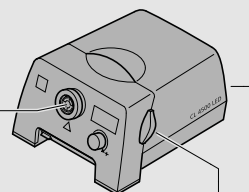
Diffuse facelight M8 with light guide
435508-0000-000
(diffuse oblique illumination)




Cold light source CL 1500 HAL
435710-9000-000



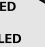
Conversion filter, d=28 mm
000000-1063-317 (without fig.)




Cold light source CL 4500 LED CRI90
435700-9200-000



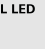
Blue filter for CL LED
435700-9022-000



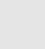
Green filter for CL LED
435700-9023-000




Yellow filter for CL LED
435700-9024-000




Red filter for CL LED
435700-9025-000



Neutral filter 0.25 CL LED
435700-9026-000



Halogen light filter CL 4500 LED
435700-9219-000



Foot button S
435602-9010-000