

- Compact Size
- 24 VDC
- DIN Rail Mount Driver
- High Output LED Light Engines




# MONSTER SPOT LIGHTS

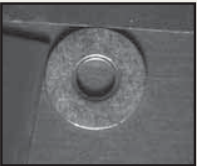
4 Typical Applications: *The need for a narrow direction of high condensing illumination.*

SIZES		DRIVERS
Light Output Area	Number of HB LED Light Engines	
SP1.25 - 1.25" dia.	1	LDM350/1
RL2.5 - 2.5" dia.	4	LDM350/2
SP3.25 - 3.25" dia.	6	LDM350/3 (Except IR)
SP5.5 - 5.5" dia.	18	LDM1050

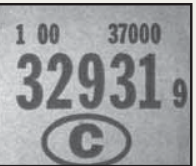
**WORKABLE SURFACES**



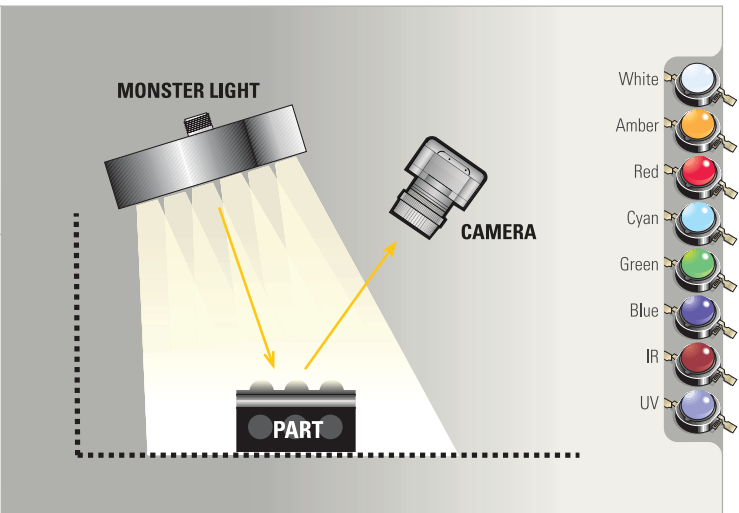
Auto interior parts



Washer



labling



**Included with all Monster Lights**  
LDM DIN Rail mount driver & 12' cable.



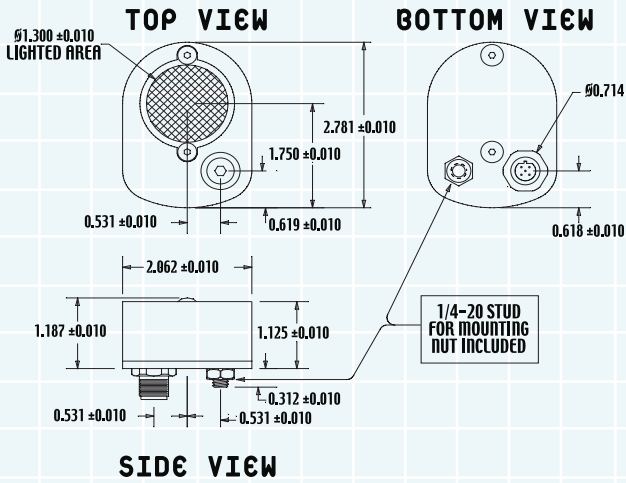
Input 24VDC Power (customer supplied)

Patent Pending

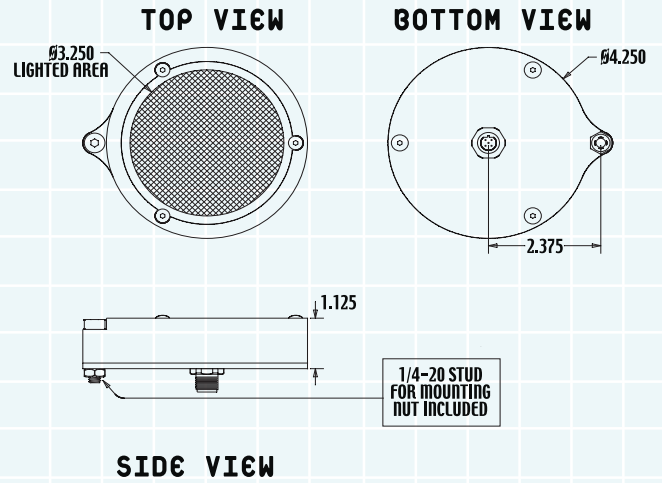
Spot lights are usually aimed directly at an object, often creating distinct shadows. This type of lighting is effective when used on objects requiring high degrees of contrast, but creates specular reflections when used with shiny or reflective materials. The advantage being, the ability to position the light anywhere around an object to illuminate it. Normally used as a "Bright Field Light".

# MONSTER SPOTS LIGHTS

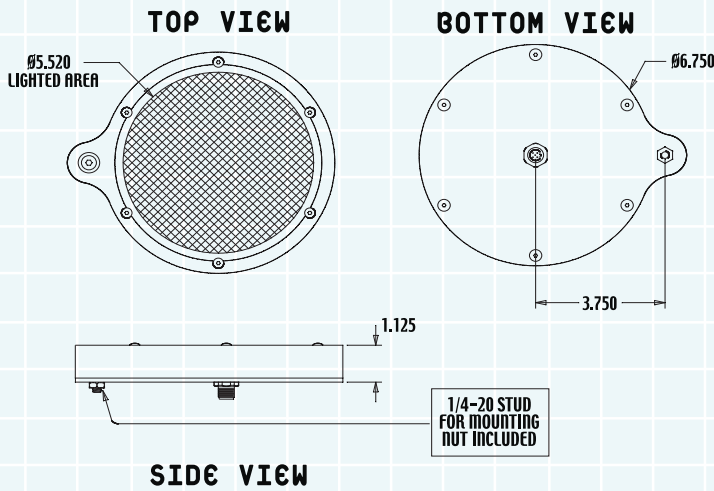
## SP1.25 MONSTER SPOT MOUNT



## SP3.25 SPOT MOUNT



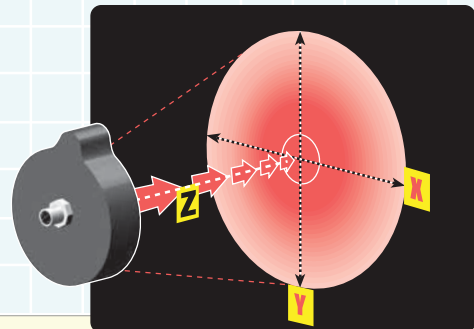
## SP5.5 SPOT MOUNT



ALL MONSTER SPOT LIGHTS ARE EQUIPPED WITH 5-PIN REVERSE KEYED EUROFAST CONNECTOR

**WARNING!!!**

USE ONLY SPECTRUM ILLUMINATION LDM FAMILY ADAPTERS. DO NOT CONNECT LIGHT TO 24VDC DIRECTLY. FAILURE TO FOLLOW THESE DIRECTIONS WILL RESULT IN PREMATURE LED FAILURE AND VOID THE WARRANTY.



Note: These light measurements are approximations and may differ according to individual applications

### SP1.25 ILLUMINATOR

Narrow (Std.) LENS		Medium LENS		Wide (F) LENS	
Working Distance	Pattern	Working Distance	Pattern	Working Distance	Pattern
Z	Y=X	Z	Y=X	Z	Y=X
12" (1')	1.5	12" (1')	1.9	6"	1.3
24" (2')	3	24" (2')	3.8	12" (1')	2.6
48" (4')	6	48" (4')	7.5	24" (2')	5.3
72" (6')	9	72" (6')	11.3	48" (4')	10.5
96" (8')	15	96" (8')	18.8	72" (6')	15.8
120" (10')	18	120" (10')	22.5	96" (8')	26.3
				120" (10')	31.6

### SP3.25 ILLUMINATOR

Narrow (Std.) LENS		Medium LENS		Wide (F) LENS	
Working Distance	Pattern	Working Distance	Pattern	Working Distance	Pattern
Z	Y=X	Z	Y=X	Z	Y=X
12" (1')	2	12" (1')	2.5	6"	1.8
24" (2')	4	24" (2')	5.0	12" (1')	3.5
48" (4')	8	48" (4')	10.0	24" (2')	7.0
72" (6')	12	72" (6')	15.0	48" (4')	14.0
96" (8')	16	96" (8')	20.0	72" (6')	21.1
120" (10')	20	120" (10')	25.0	96" (8')	28.1
				120" (10')	35.1

### SP5.5 ILLUMINATOR

Narrow (Std.) LENS		Medium LENS		Wide (F) LENS	
Working Distance	Pattern	Working Distance	Pattern	Working Distance	Pattern
Z	Y=X	Z	Y=X	Z	Y=X
12" (1')	2.5	12" (1')	3.1	6"	2.2
24" (2')	5	24" (2')	6.3	12" (1')	4.4
48" (4')	10	48" (4')	12.5	24" (2')	8.8
72" (6')	15	72" (6')	18.8	48" (4')	17.5
96" (8')	20	96" (8')	25.0	72" (6')	26.3
120" (10')	25	120" (10')	31.3	96" (8')	35.1
				120" (10')	43.9

